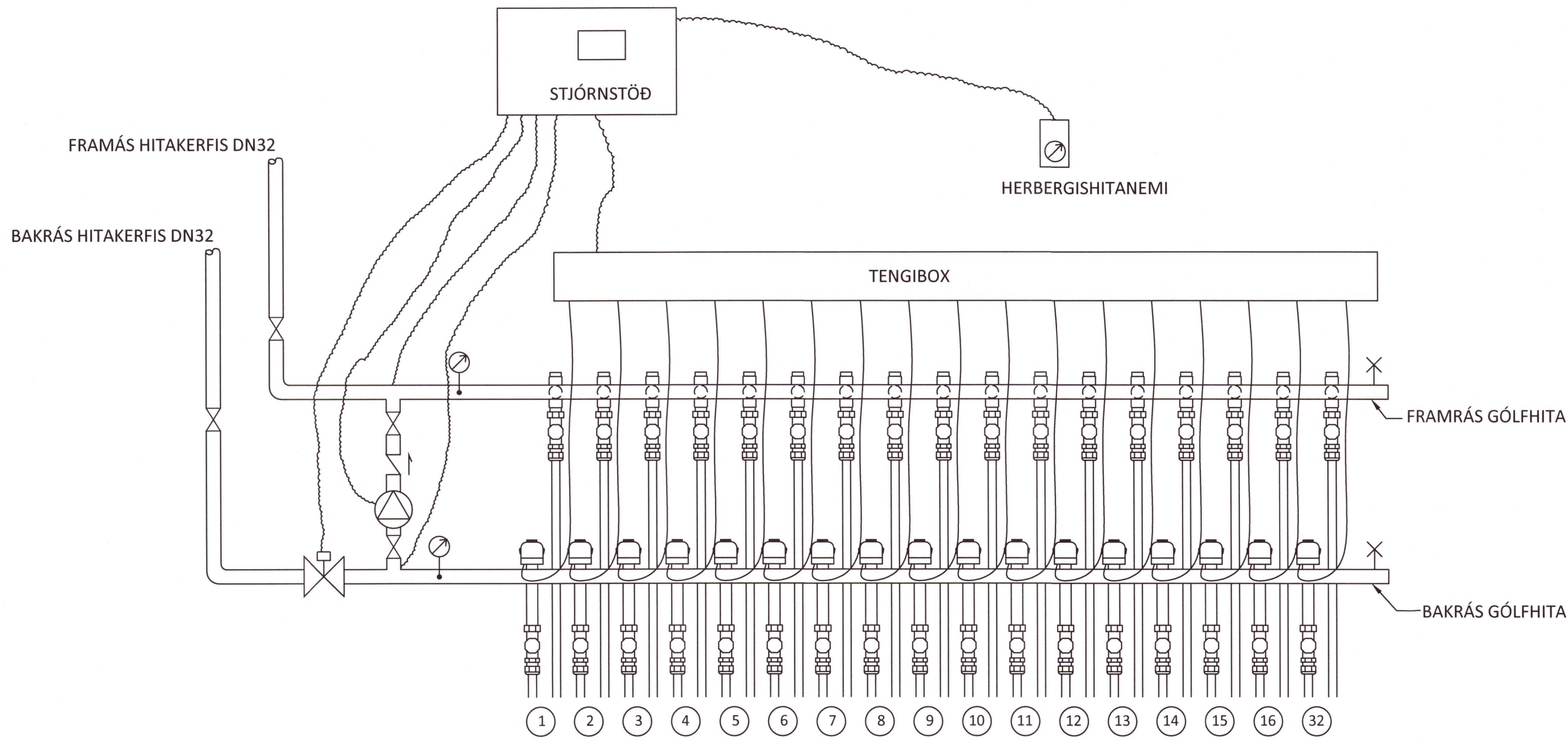


Umhverfis- og tæknisvið Uppsveita
Yfirfarið
 17 DEC 2020
S. L. Jón
 Fk. Byggingarfulltrúi

VIGRIS HALD.
 KT. 100760-5049

ÁRITUN HÖNNUNARSTJÓRA: KT.
 SÉRUPPRÁTTUR ER Í SAMREMI VÍÐ ADALUPPRÆTTIL
 VERKNR: DAGS.ÚTG:

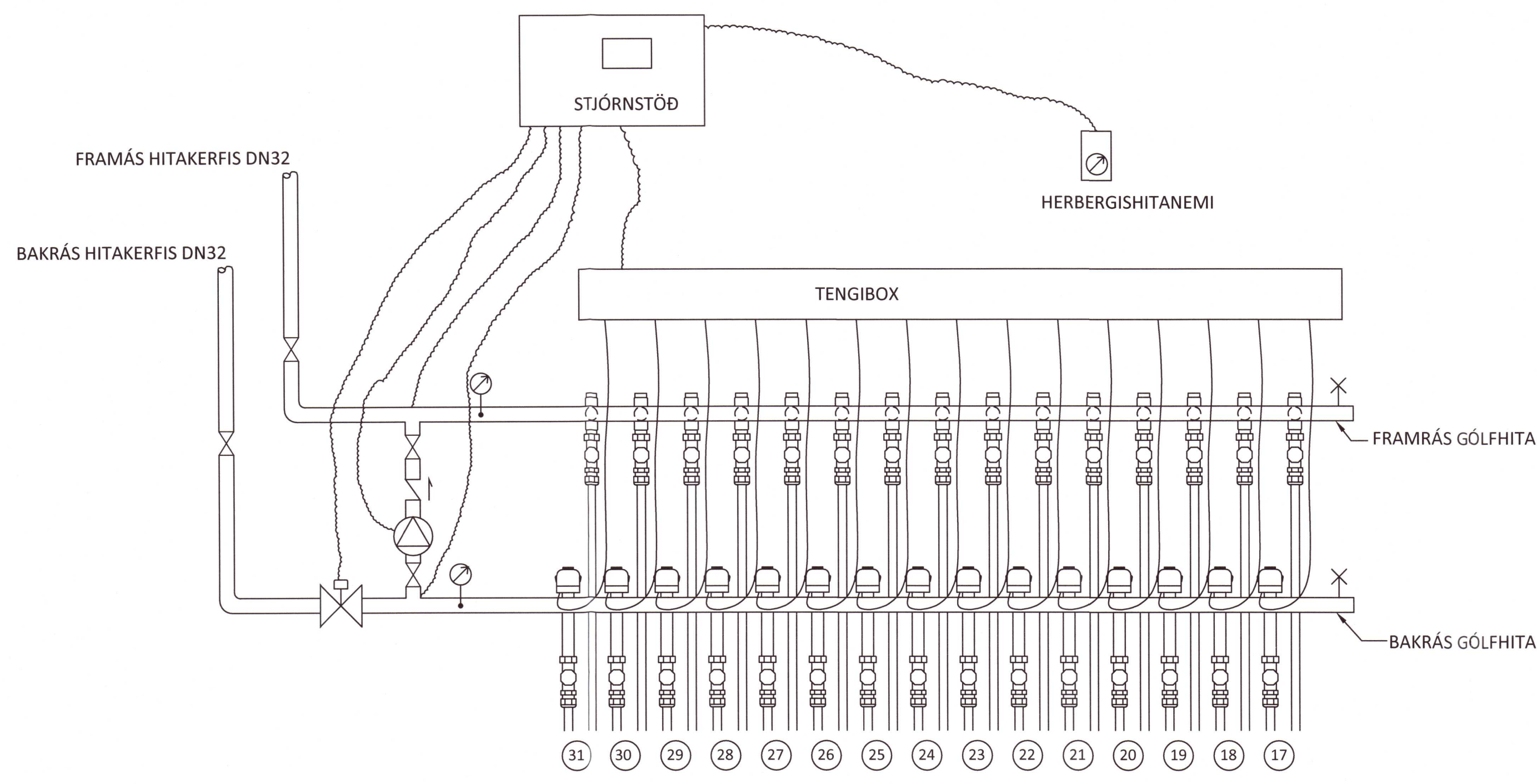
TENGIGRIND 1



GÓLFHITASKRÁ, TENGIGRIND 1

SLAUFNA NR.	c/c [mm]	AFKÖST [W/m ²]	l m	STÆRD [m ²]	AFKÖST [W]	q l/min	HITASTIG Í RÝMI [°C]	HITANEMI Í RÝMI
1	150	78,0	124,0	18,6	1451	2,63	20	T1
2	150	78,0	124,0	18,6	1451	2,63	20	T1
3	150	78,0	123,0	18,45	1439	2,61	20	T1
4	150	78,0	123,0	18,45	1439	2,61	20	T1
5	200	69,0	122,0	24,4	1684	3,05	20	T1
6	200	69,0	122,0	24,4	1684	3,05	20	T1
7	200	69,0	121,0	24,2	1670	3,02	20	T1
8	200	69,0	120,0	24	1656	3,00	20	T1
9	200	69,0	119,0	23,8	1642	2,97	20	T1
10	200	69,0	119,0	23,8	1642	2,97	20	T1
11	200	69,0	119,0	23,8	1642	2,97	20	T1
12	200	69,0	119,0	23,8	1642	2,97	20	T1
13	200	69,0	119,0	23,8	1642	2,97	20	T1
14	200	69,0	119,0	23,8	1642	2,97	20	T1
16	200	69,0	119,0	23,8	1642	2,97	20	T1
32	150	69,0	59,0	8,85	611	1,11	20	T2
SAMTALS			1871 m		24,6 kW	44,52 l/min		

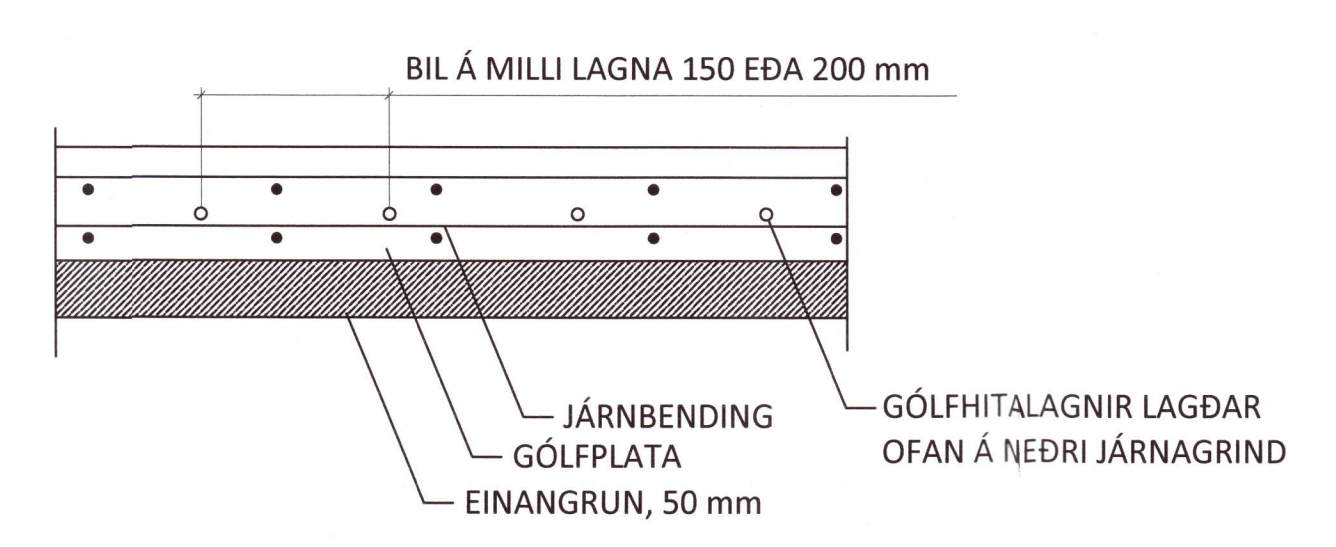
TENGIGRIND 2



GÓLFHITASKRÁ, TENGIGRIND 2

SLAUFNA NR.	c/c [mm]	AFKÖST [W/m ²]	l m	STÆRD [m ²]	AFKÖST [W]	q l/min	HITASTIG Í RÝMI [°C]	HITANEMI Í RÝMI
17	200	78,0	122,0	24,4	1903	3,45	20	T1
18	200	78,0	122,0	24,4	1903	3,45	20	T1
19	200	78,0	123,0	24,6	1919	3,48	20	T1
20	200	78,0	123,0	24,6	1919	3,48	20	T1
21	200	69,0	124,0	24,8	1711	3,10	20	T1
22	200	69,0	124,0	24,8	1711	3,10	20	T1
23	200	69,0	126,0	25,2	1739	3,15	20	T1
24	200	69,0	126,0	25,2	1739	3,15	20	T1
25	200	69,0	128,0	25,6	1766	3,20	20	T1
26	200	69,0	128,0	25,6	1766	3,20	20	T1
27	200	69,0	130,0	26	1794	3,25	20	T1
28	150	69,0	130,0	19,5	1346	2,44	20	T1
29	150	69,0	132,0	19,8	1366	2,47	20	T1
30	150	69,0	132,0	19,8	1366	2,47	20	T1
31	150	69,0	132,0	19,8	1366	2,47	20	T1
SAMTALS			1902 m		25,3 kW	45,85 l/min		

SNÍÐ Í GÓLFHITALÖGN, MKV. 1:10



20203451

NR. DAGS. LÝSING



VATNSENDI
 NÝBYGGING 803 SELFOSS
 HITA- OG PRIFAKERFI
 KERFISMYNDIR
 SKRÁR

SAMÞYKKT: *Ólaf Gunnars* KT. 270760-4229
 HÖNNUÐUR: YFIRFARIÐ DAGS. ÚTG. DAGS. BREYTT.
 ÞAG thor@ferill.is HPV 07.12.20
 MKV. (A3) VERKNR. TEIKN. NR. BREYTT.
 1:50 19130 3-0002
 Ferill ehf. Mörkin 1. 108 Reykjavík Sími: 575 1600 www.ferill.is