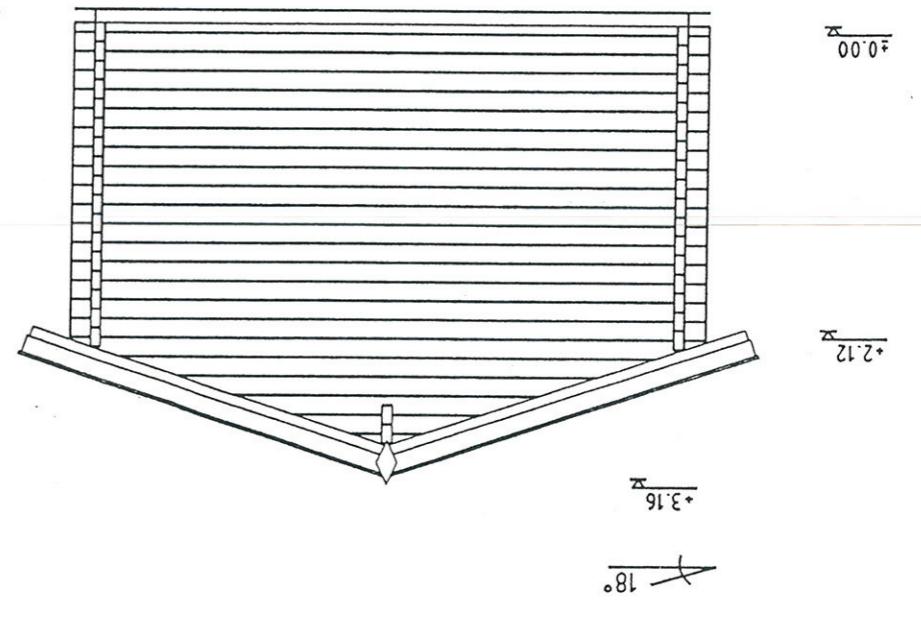
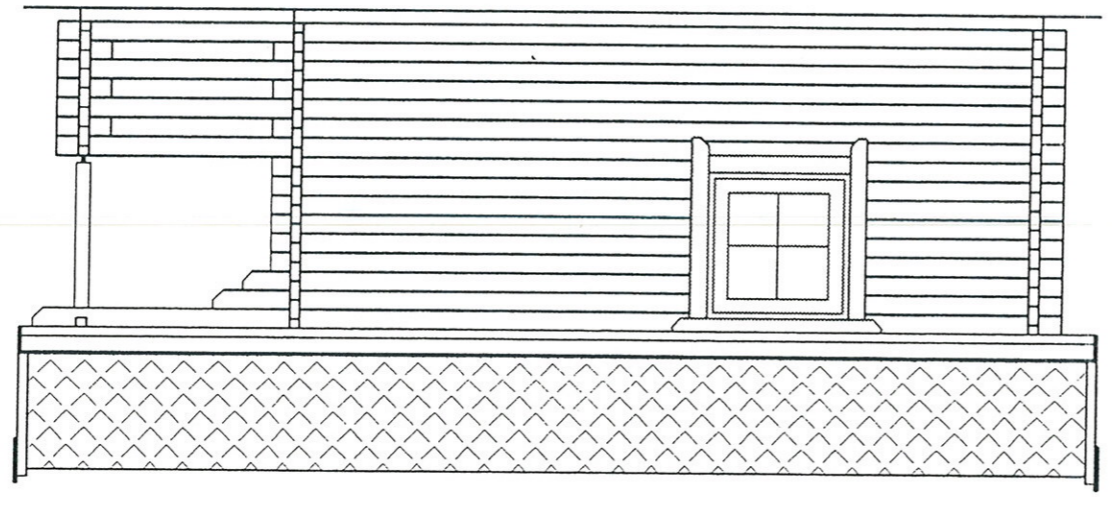


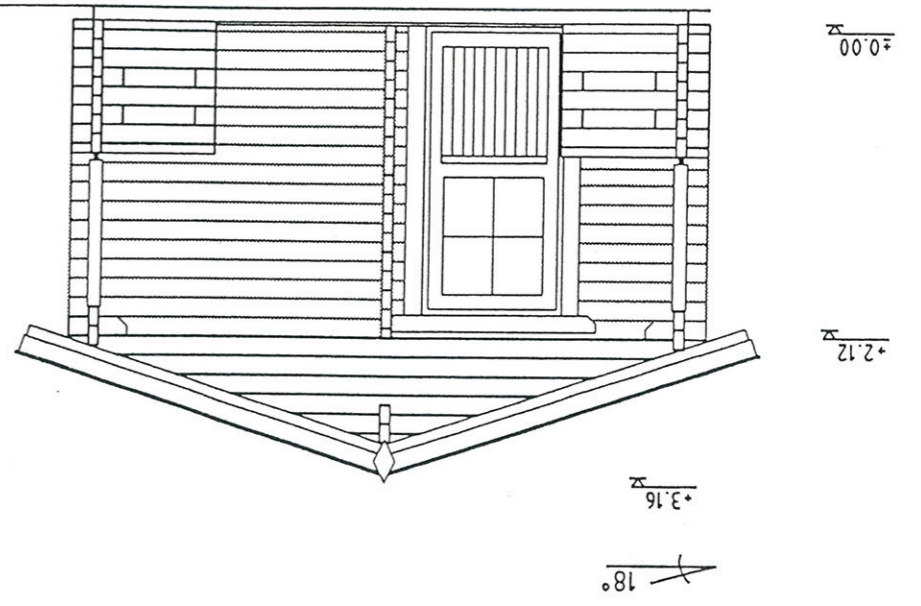
Section - B



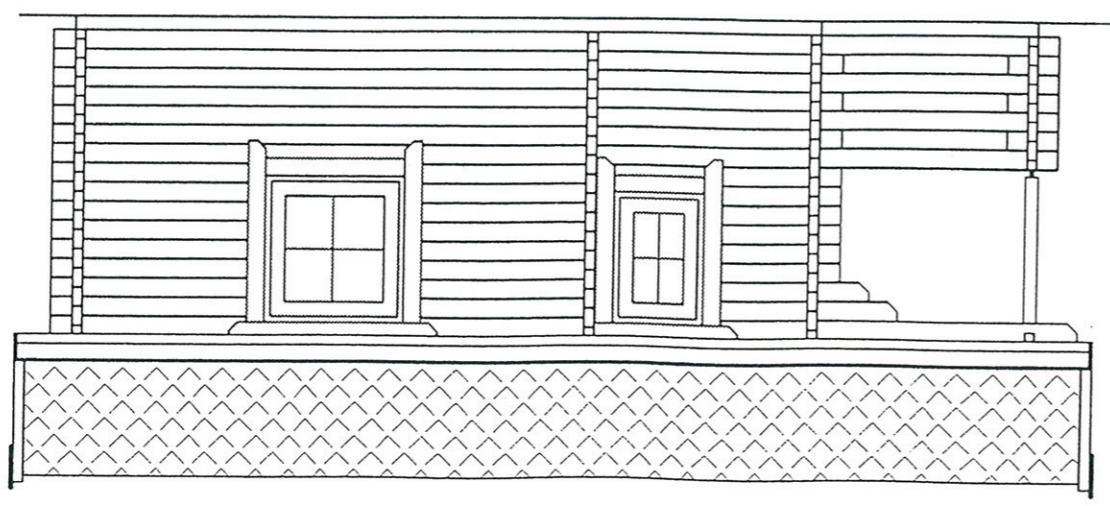
Section - D



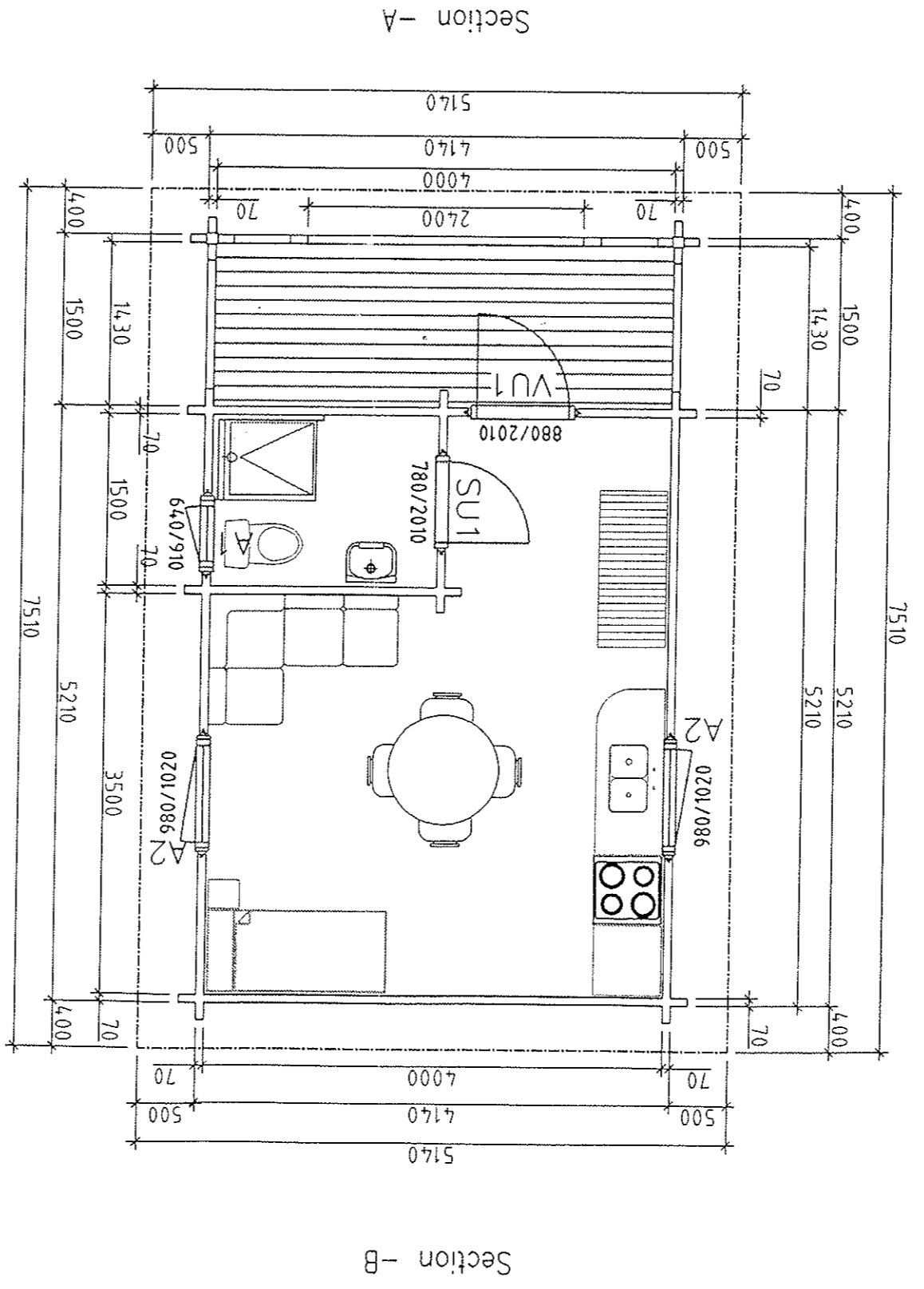
Section - A



Section - C



Samykt 28.8.2016
 Byggingarullnui
 Fidarnepps



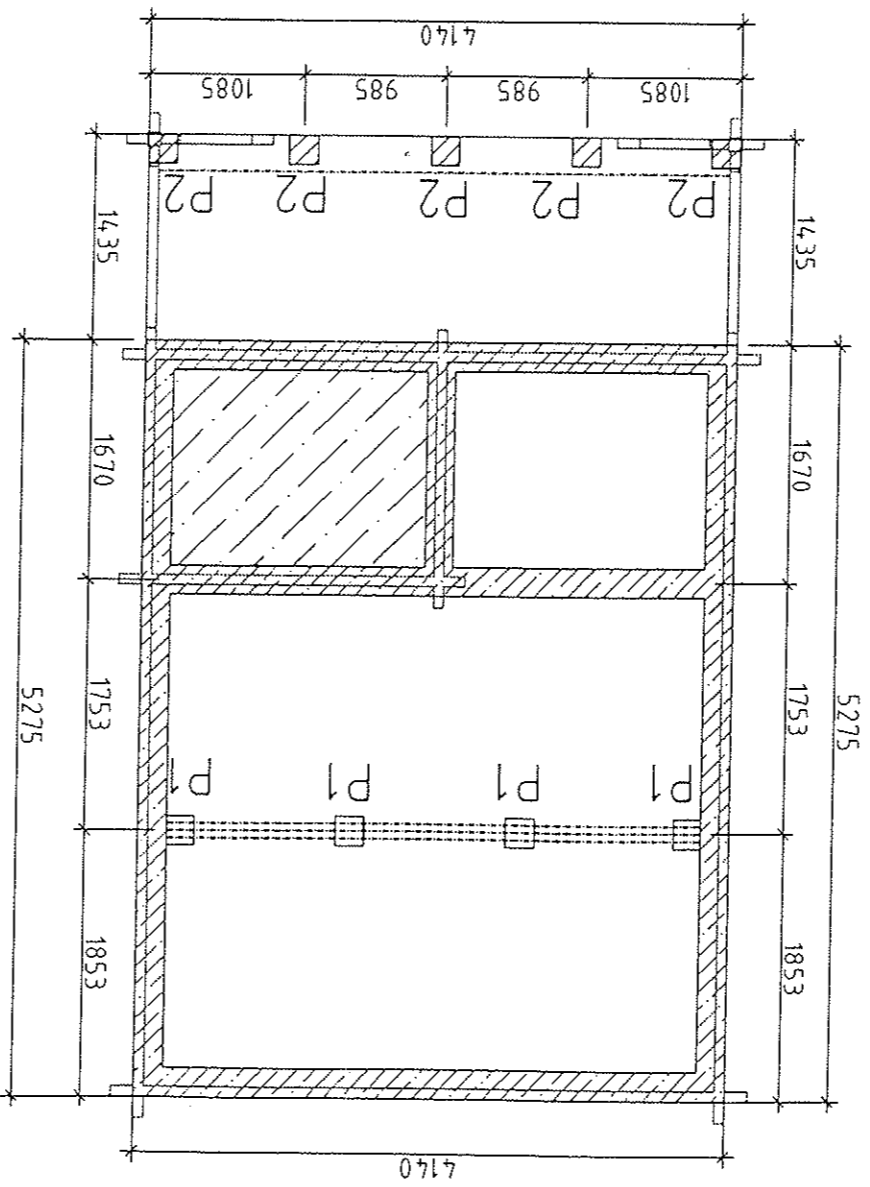
Section -D

Section -C

Sambykki 20
 Byggingatilturur
 Fíahrepps

P1 = - 0.095(4 Pcs) 200x200
 P2 = ±0.000 (5 Pcs) 200x200

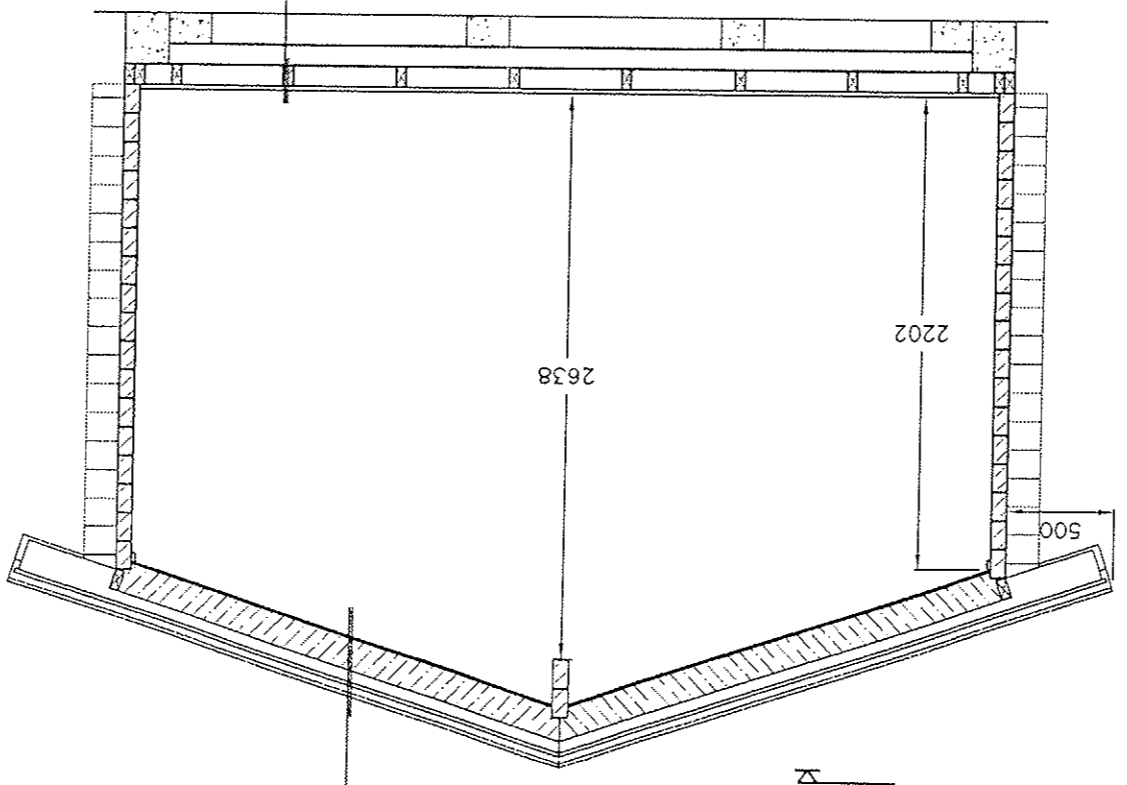
Section -D



Section -C

Cross-section A-A

Floor board 22x85mm
 Floor beam 45x95mm



±0.00

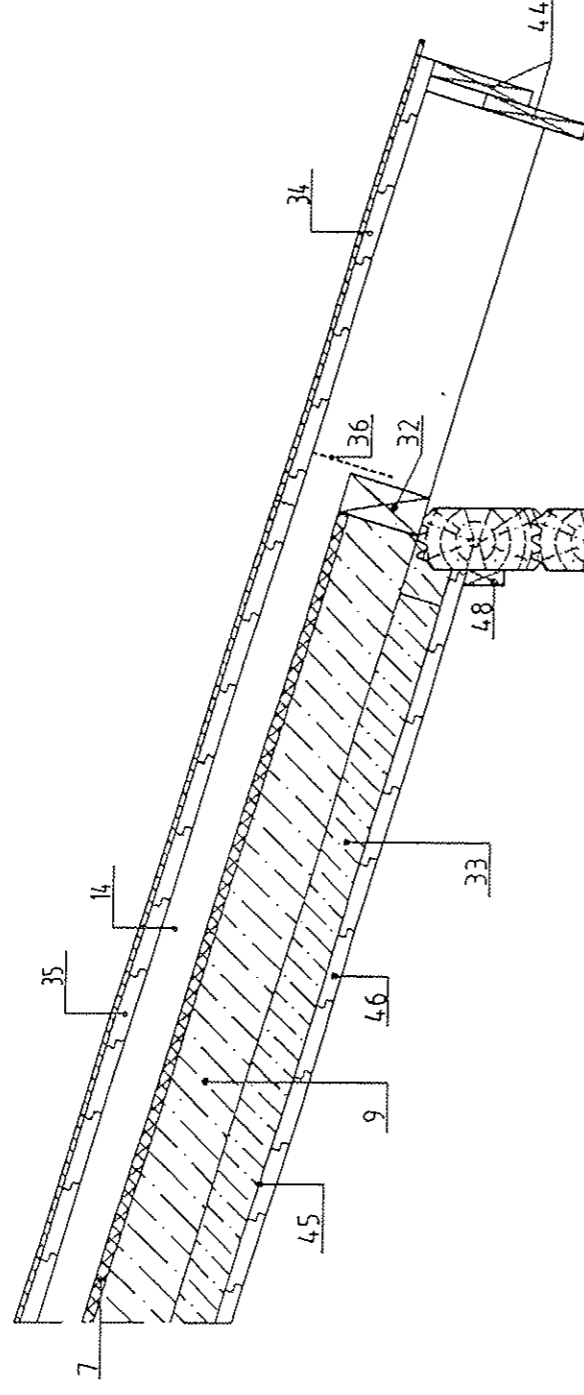
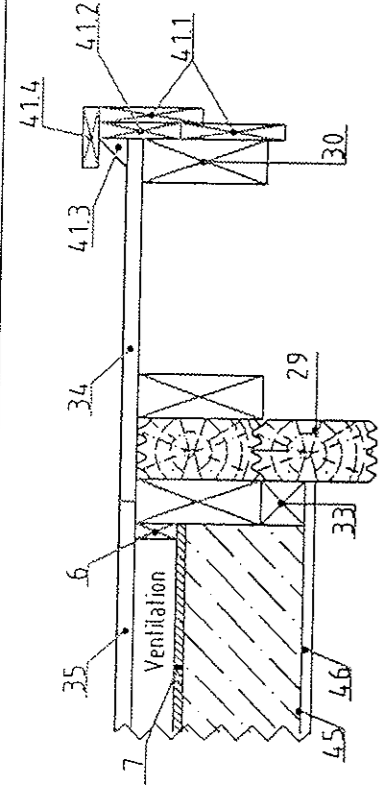
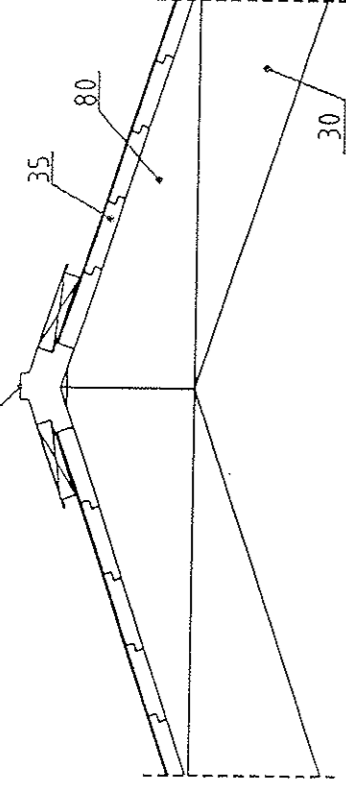
+2.27

+3.16

18°

Roof covering
 Roof board 18x85mm
 Windplate
 Insulation between rafters
 Rafters 45x145mm
 Framework for additional insulation
 Steam paper
 Ceiling board 12x88mm

In plate for the top of roof



- 1 - Hydroinsulation
- 7 - Windplate (not incl.)
- 8 - Floor slats
- 9 - Insulation
- 10 - Floor beam of ground floor
- 11 - Floor board
- 14 - Ventilation
- 29 - Wall beam
- 30 - Rafters
- 33 - Framework for additional insulation
- 34 - Visible roof board
- 35 - Roof board
- 36 - Net (not incl.)
- 41 - Gable board
- 44 - Eaves board
- 45 - Steam foil (not incl.)
- 46 - Ceiling board
- 48 - Triangular slat
- 60 - Top bordering board for windows
- 61 - Side bordering board for windows
- 62 - Bottom bordering board for windows
- 63 - Window jamb extension
- 65 - Window with jamb
- 66 - Window sill
- 67 - Pungle board for windows and external door
- 68 - Dekoration
- 69 - Detail from metal sheet
- 80 - Rafter jointing board (not incl.)

Silikon (not incl.)

