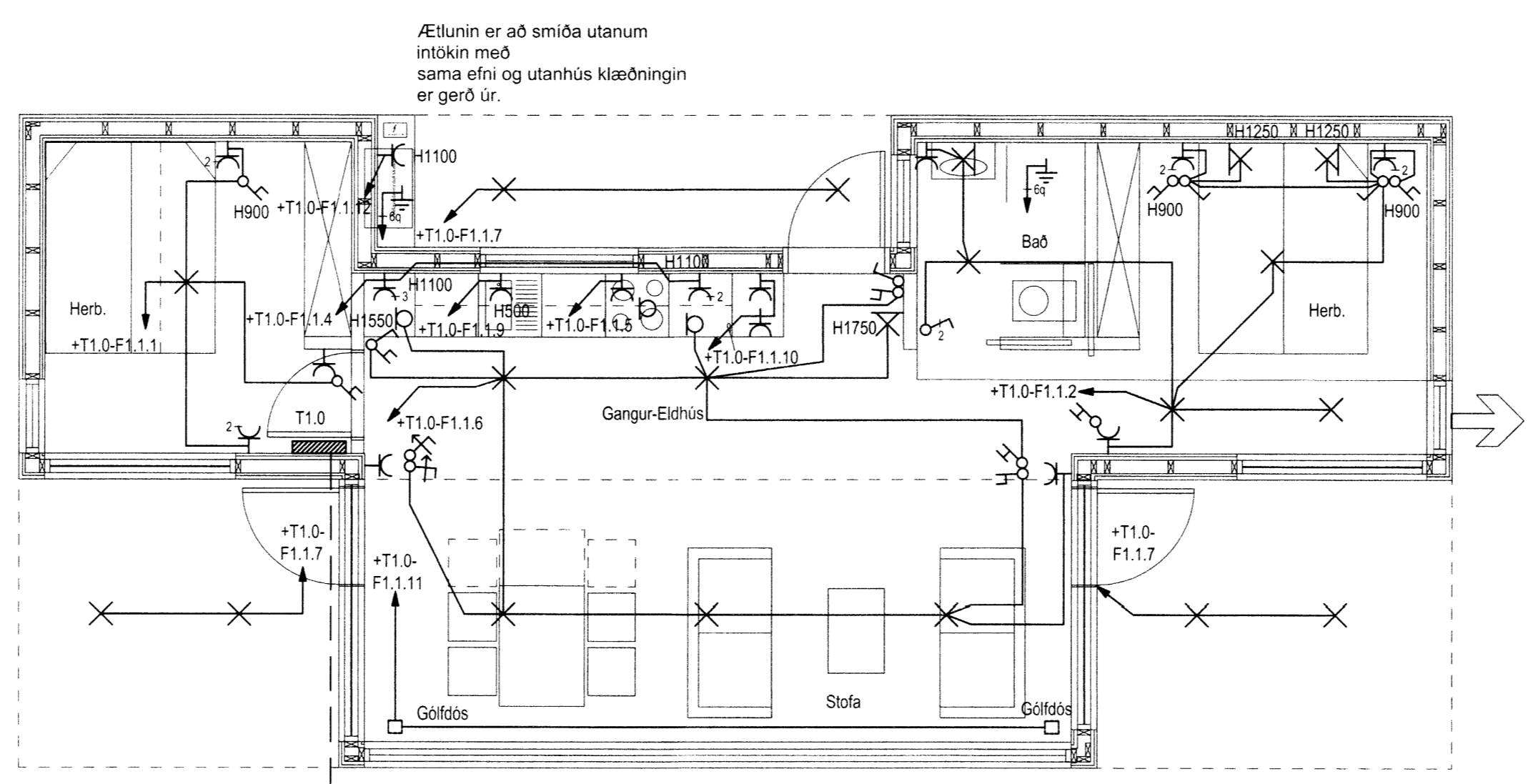
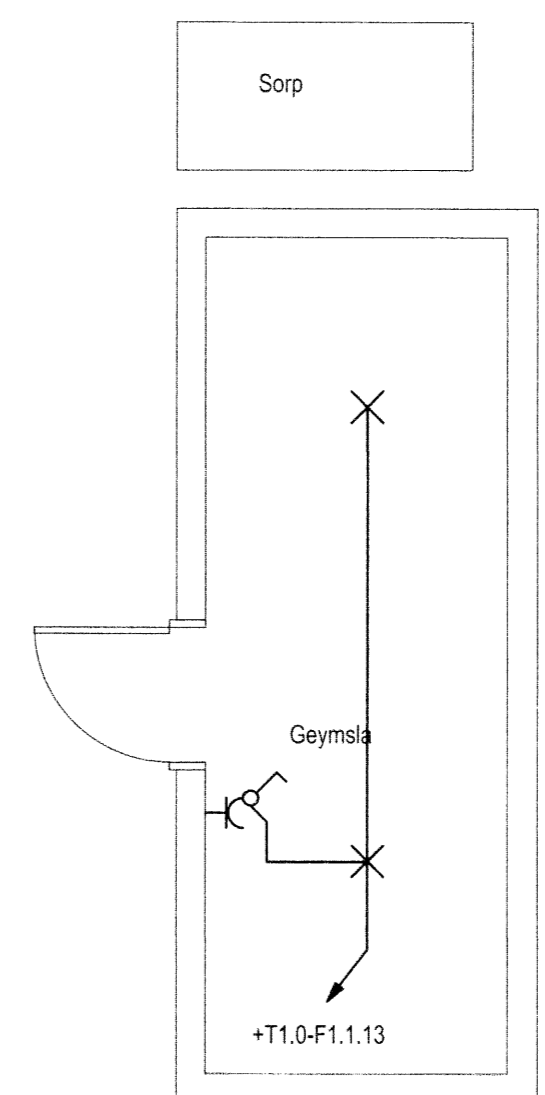


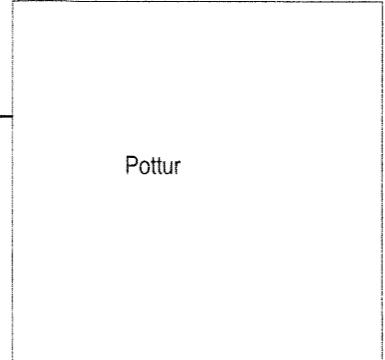
Skipulags- og byggingarfulltrúi  
Uppsveita bs.  
11. ágú. 2014  
MÓTTEKID

DETLINGARLÖG

ÚTG.	DAGS	ÚTGAUFERILL	HANNAÐ	TEKNI YFIRF.
---	---	---	---	---
---	---	---	---	---
---	---	---	---	---
---	---	---	---	---
---	---	---	---	---
---	---	---	---	---
---	---	---	---	---
---	---	---	---	---
---	---	---	---	---
---	---	---	---	---



Ætlunin er að smíða utanum  
intökin með  
sama efni og utanhúsi klæðningin  
er gerð úr.



2xØ25 rör fyrir dælu/Hita, útljós við pott.

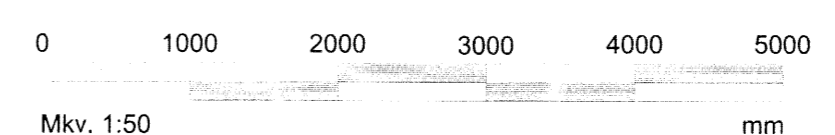
*Ólafur Blöndal*



**Frístundarhús**  
Ásbraut 3  
801 Grímsnes og Grafingshrepp  
Rafagnir  
Lágspenna og Smáspenna  
1.hæð

TEIKNUNUMÉR	BLAÐSTÆRÐ	HANNAÐ	PEB	---
5279-001	A1	TEIKNAD	KRS	---
01_3_16_01		YFIRFARID	---	---
DAGS	MÆLIKVÁRÐI	UTGAFA		
11.04.2014	1:50	A		

SAMBYGGR: *[Signature]*  
Kerntala:



T:\801\Asbraut\_3\Rekni og lýsingaratriði\agpennu01\_3\_16.dwg