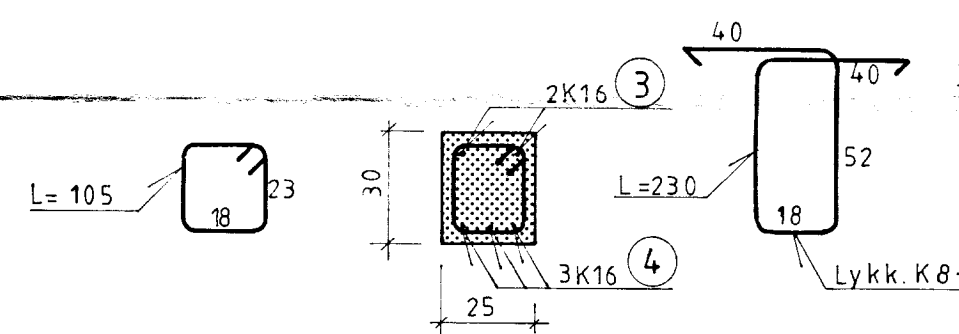
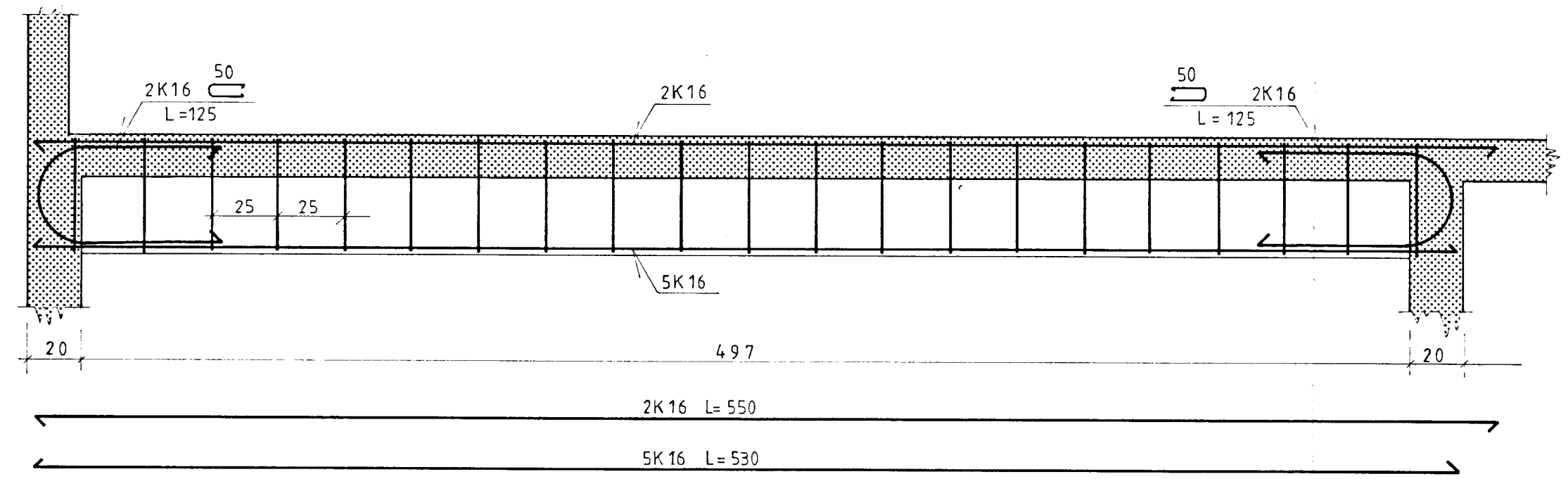


Biti B1 M=1:20

- ① 2K16 L=174
- ② 2K16 L=280
- ③ 2K16 L=895
- ④ 3K16 L=895



Snid A-A  
M=1:20



Biti B2 M=1:20

