

Main Frame Cross Section at Frame Lines: 1 & 7

INCHES TO CENTIMETER

1/8	= 0.635 cm
1/4	= 1.27 cm
3/8	= 1.5875 cm
1/2	= 1.905 cm
5/8	= 2.54 cm
3/4	= 3.175 cm
7/8	= 3.81 cm
1	= 4.445 cm
1 1/8	= 5.08 cm
1 1/4	= 5.715 cm
1 1/2	= 6.35 cm
1 3/4	= 6.985 cm
2	= 7.62 cm
2 1/8	= 8.255 cm
2 1/4	= 8.89 cm
2 3/8	= 9.525 cm
2 1/2	= 10.16 cm
2 5/8	= 10.795 cm
2 3/4	= 11.43 cm
2 7/8	= 12.065 cm
3	= 12.7 cm
3 1/8	= 13.335 cm
3 1/4	= 13.97 cm
3 3/8	= 14.605 cm
3 1/2	= 15.24 cm
3 5/8	= 15.875 cm
3 3/4	= 16.51 cm
3 7/8	= 17.145 cm
4	= 17.78 cm
4 1/8	= 18.415 cm
4 1/4	= 19.05 cm
4 3/8	= 19.685 cm
4 1/2	= 20.32 cm
4 5/8	= 20.95 cm
4 3/4	= 21.59 cm
4 7/8	= 22.225 cm
5	= 22.86 cm
5 1/8	= 23.495 cm
5 1/4	= 24.13 cm
5 3/8	= 24.765 cm
5 1/2	= 25.4 cm
5 5/8	= 26.035 cm
5 3/4	= 26.67 cm
5 7/8	= 27.305 cm
6	= 27.94 cm
6 1/8	= 28.575 cm
6 1/4	= 29.21 cm
6 3/8	= 29.845 cm
6 1/2	= 30.48 cm

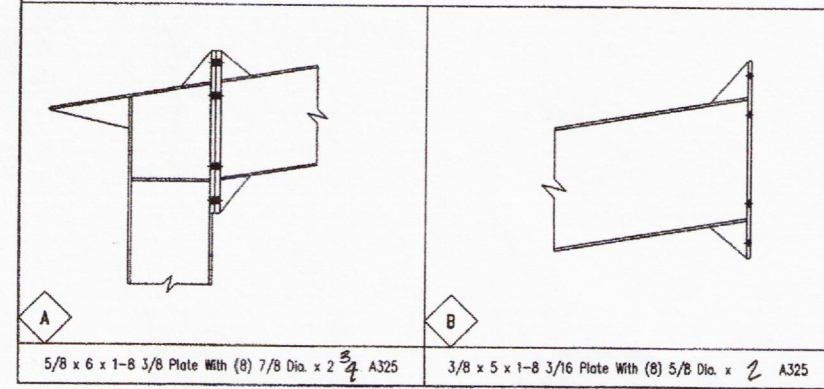
MEMBER DATA

Column data is listed from Base to Eave - Rafters data is listed from Eave to Peak

Mark	Outside Flange	Web	Inside Flange
Col (RC-8)	5/16 x 6	10 GA x 10	5/16 x 6
Raf (RR-11)	1/4 x 5 1/4 x 5 x 10-0	10 GA x 12 10 GA x 12 x 10-0	1/4 x 5 1/4 x 5 x 10-0

NOTE:  
FRAME PIECE MARKS ON THIS SHEET (RC-1...RR-3...) APPLY ONLY TO THE "MEMBER DATA" INFORMATION BLOCK ON THIS SHEET.  
FOR ACTUAL PIECE MARKS FOR THESE MEMBERS REFER TO THE ROOF PLAN & ELEVATION SHEETS.

NOTE:  
REFER TO "INCHES TO CENTIMETER" CHART FOR ALL DIMENSION 1'-0 (30.48cm) AND UNDER.



MIDENGI, GRÍMSNESI

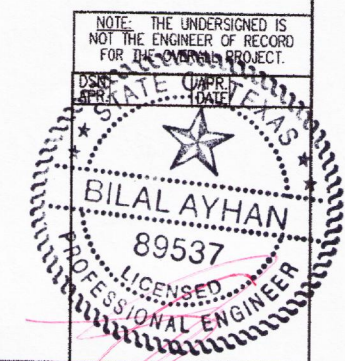
Teikning yfirfarin og samþykkt, sbr. aðalteikn.  
verk nr. 20-46 nr. B-01.01 og B-01.02

Verkfræðistofa Njarðvíkur ehf., 17. jan 2005  
Magnús R. Guðmannsson MVFI  
kt. 160443-2869

*Handwritten signature*

JAN 06 2005

REVISION



DRAWING STATUS

FOR APPROVAL: THESE DRAWINGS, BEING FOR APPROVAL, ARE BY DEFINITION NOT FINAL AND ARE FOR CONCEPTUAL REPRESENTATION ONLY. THEIR PURPOSE IS TO CONFIRM PROPER INTERPRETATION OF THE PROJECT DOCUMENTS. ONLY DRAWINGS ISSUED "FOR CONSTRUCTION" CAN BE CONSIDERED AS COMPLETE.

FOR PERMIT: THESE DRAWINGS, BEING FOR PERMIT, ARE BY DEFINITION NOT FINAL IN THAT, AS A MINIMUM, PIECE MARKINGS ARE NOT IDENTIFIED. ONLY DRAWINGS ISSUED "FOR CONSTRUCTION" CAN BE CONSIDERED AS COMPLETE.

FOR CONSTRUCTION: FINAL DRAWINGS.

REVISIONS

NO.	DATE	DESCRIPTION	BY	CHK'D
1	12-21-04	REVISED FOR PERMIT/CONSTRUCTION	JAK	VAH

**METALLIC** metallic building company

7301 FAIRVIEW • HOUSTON, TEXAS • P.O. BOX 40338  
ZIP 77041 (713) 466-7788 ZIP 77240

DESCRIPTION: ERECTION DRAWING  
SIZE: SEE BUILDING DESCRIPTION SHEET C1  
CUSTOMER: TEXAS STEEL BUILDING  
LOCATION: ICELAND  
JOB NO.: 0105-220179  
SHEET NO.: 7 of 7  
ISSUE: 1