

YFIRLÝSING HÖNNUÐAR

17.08.2022

Varðar: Sérupprætti burðarvirkis yfirbyggingar fyrir frístundahúsið við Klausturhóla C-götu 19 í Grímsnes- og Grafningshreppi.

Neðangreindur hönnuður hefur yfirfarið meðfylgjandi sérupprætti gerða af hönnuðum hjá Tekta ehf.

- *2022-08-17-KlausturhólarCgata19-SérupprættirYfirbyggingar.pdf*

Uppdrættir þessir uppfylla hönnunarforsendur skv. byggingareglugerð 112/2012.

Álagsforsendur eru skv. evrópsku þolhönnunarstöðlunum og íslenskum þjóðarviðaukum, ÍST EN 1990-1998 / NA:2010.

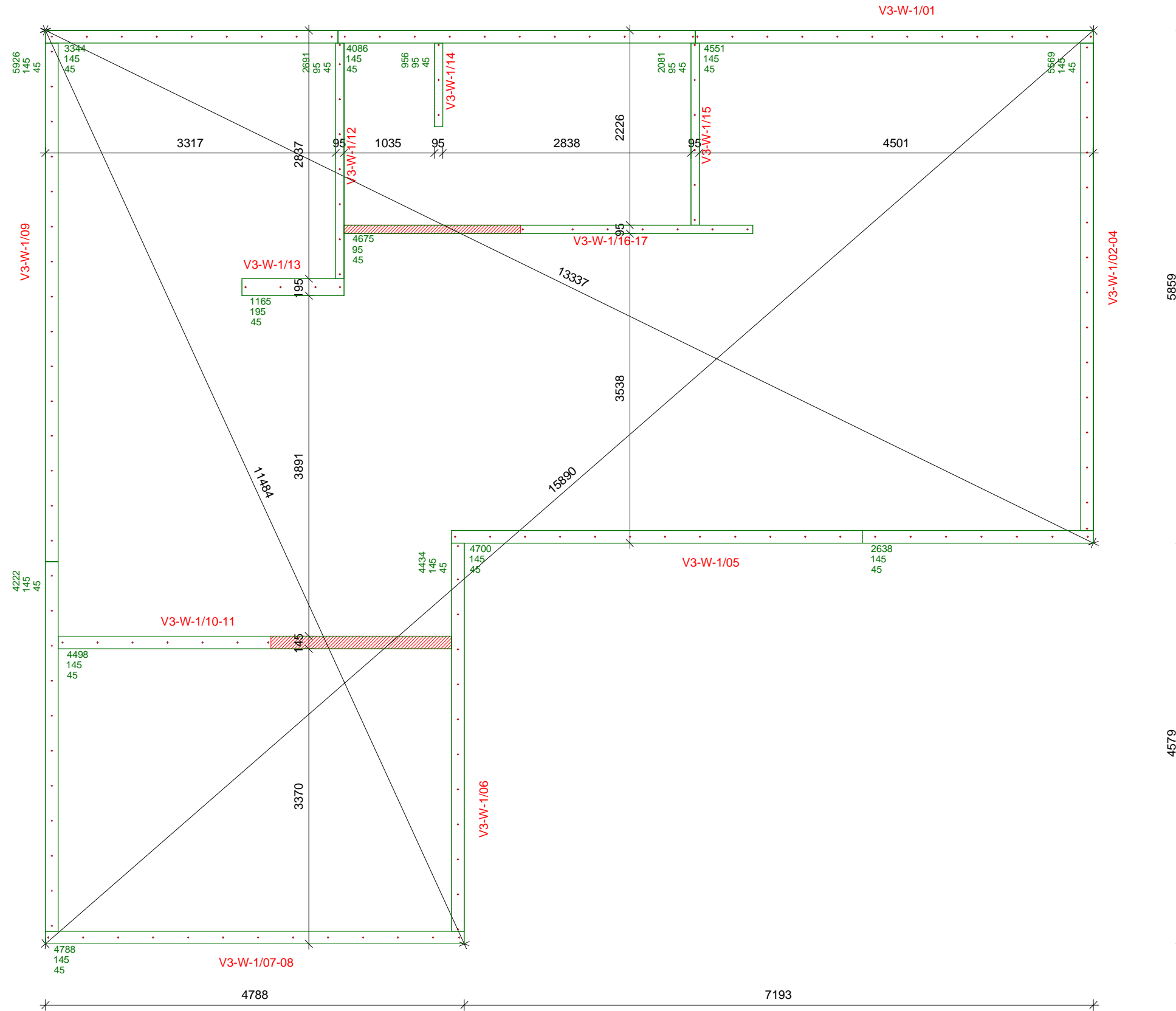
Aðalupprættir sem liggja til grundvallar eru gerðir af neðangreindum hönnuði, dagsettir 01.06.2022.

Sigurður Unnar Sigurðsson

verkfræðingur 290772-4279



Sole plate plan



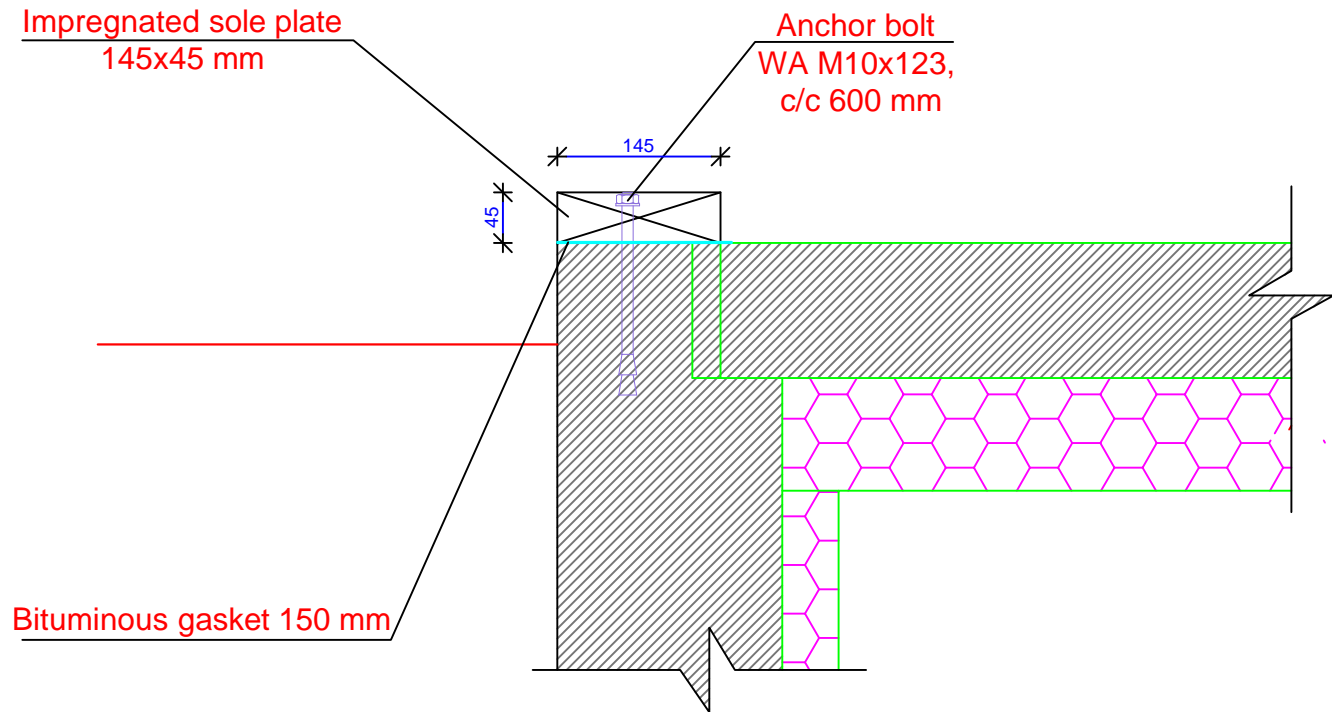
 Door places
Do not turn the screws in these places

Notes:

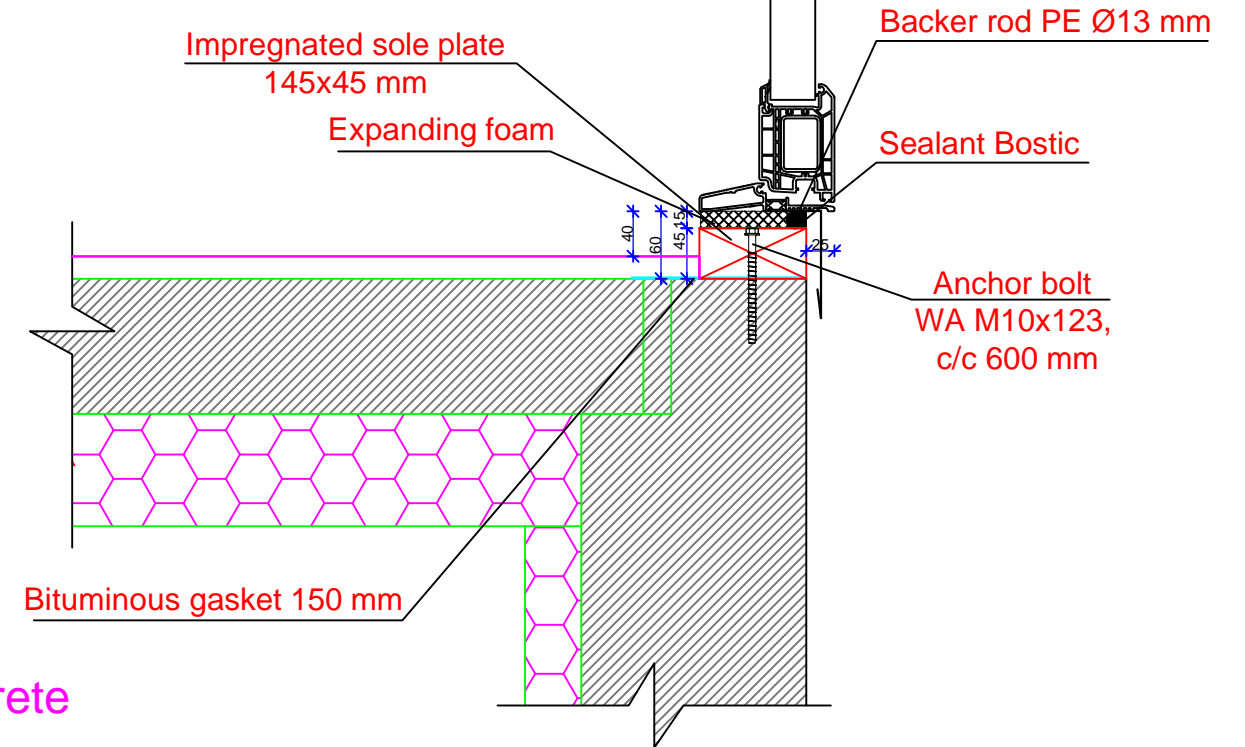
1. The outdoor walls sole plate fix every 400 mm.
2. The indoor walls sole plate fix every 400 mm.
3. Sole plate fix with Wedge Anchor bolts WA 10/123.

Drawing name: Sole plate plan		
Customer name: Tekta EHF House 97 m² Klausturhólar 19C, 805 Selfoss Iceland		Approved: Control project Sign.: Control:
File name: TEKTA EHF House 97 m ²		Date: 01.07.2022
Sheet format (A3): 1:50		Checking your order Sign.: Control:
Project name: SK-S-498	Construction drawing name: Dr-01	Project for the supplier: Check: ...

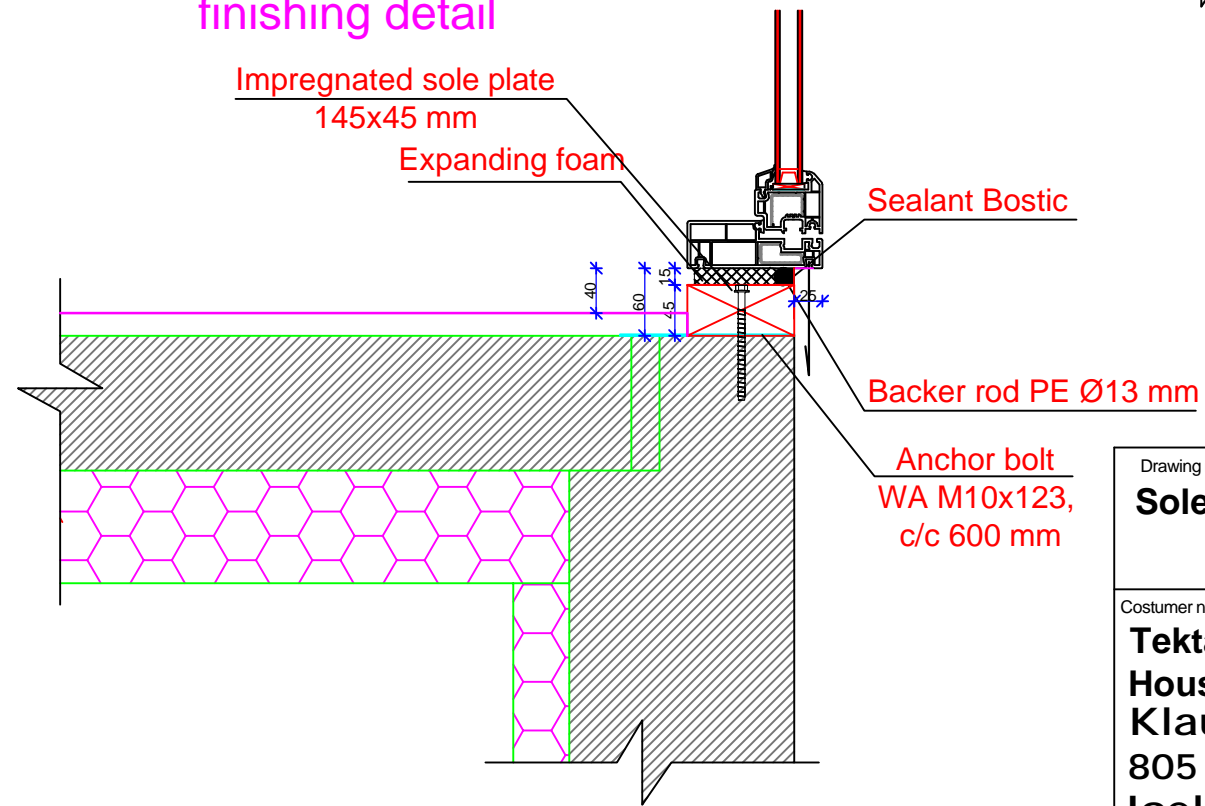
Sole plate for outside walls fixing detail



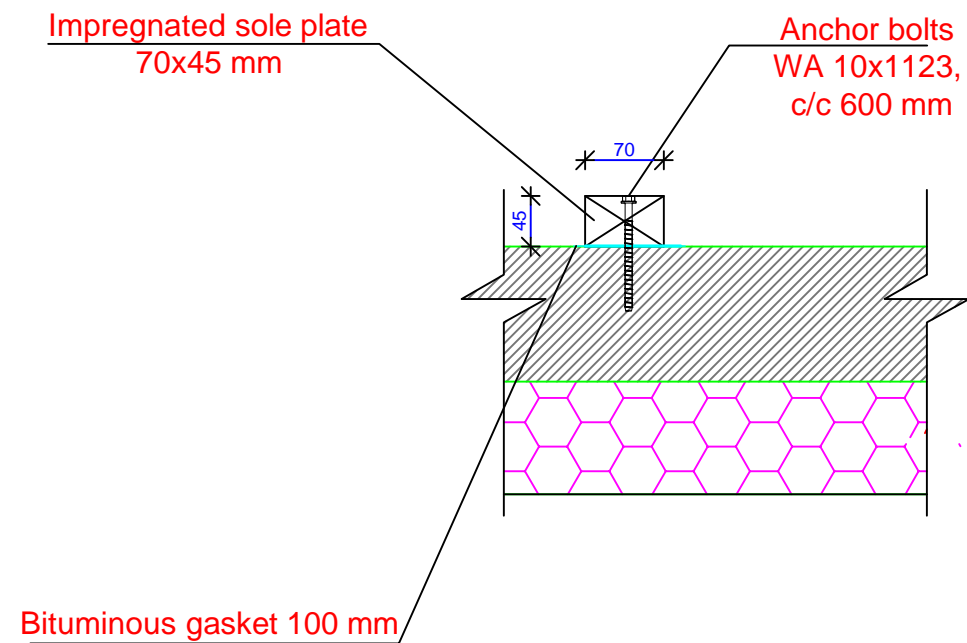
Door finishing detail



Window till concrete finishing detail

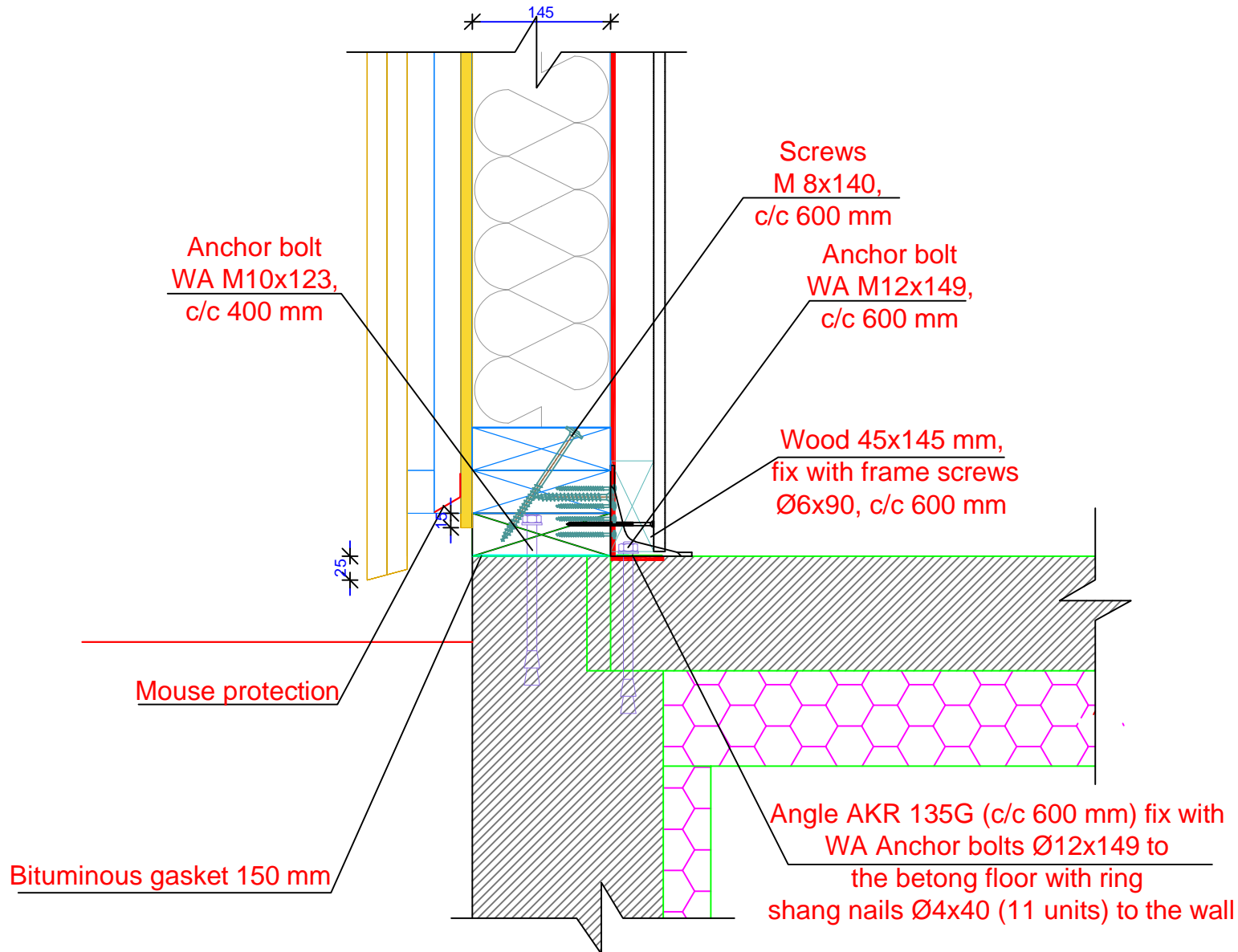


Sole plate for inside walls fixing detail



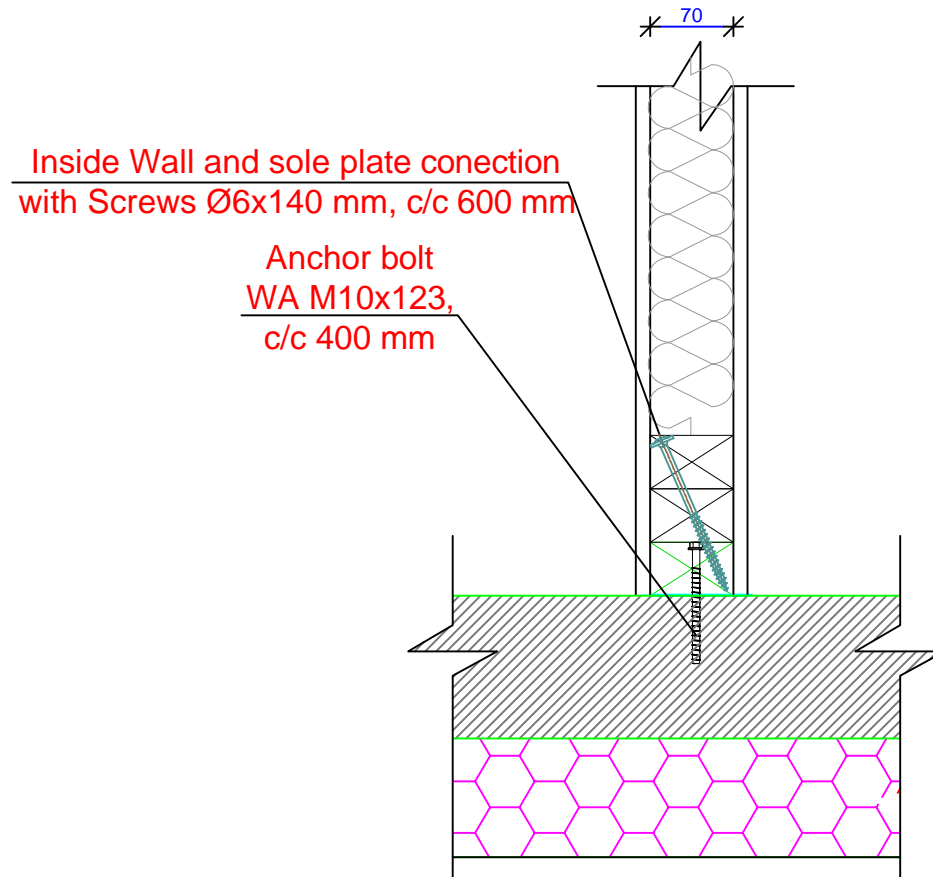
Drawing name: Sole plate fixing details		Approved:
Customer name: Tekta EHF House 97 m² Klausturhólar 19C, 805 Selfoss Iceland		Control project Sign.: Control:
Date: 20.06.2022		File name: TEKTA EHF House 97 m ²
Sheet format (A3): 1:50		Checking your order Sign.: Kontrol:
Project name.: SK-S-498	Construction drawing name: Dr-02	Project for the supplier:
Drawing name: Sole plate fixing details		Check: ...

Outside walls conection with sole plate detail



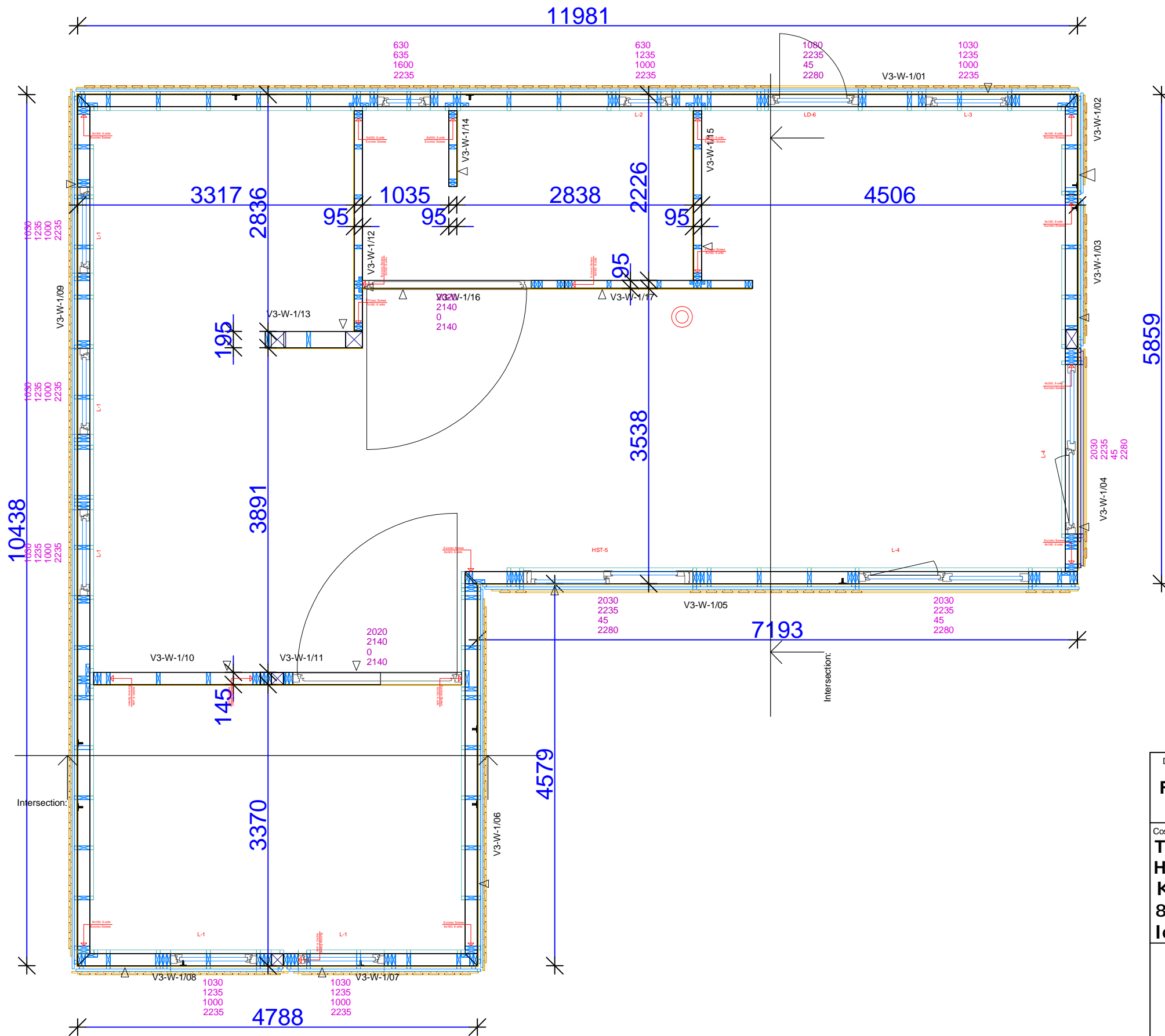
Customer name: Tekta EHF House 97 m ² Klausturhólar 19C, 805 Selfoss Iceland		Approved: ... Control project Sign:
File name: TEKTA EHF House 97 m ²		Date: 20.06.2022
Date: 20.06.2022		Sheet format (A3): 1:20
Project name: SK-S-498		Checking your order Sign:
Construction drawing name: Dr-03		Project for the supplier:
Drawing name: Outside walls conection with sole plate detail		Check:

Inside walls fixing to the betong floor detail



Customer name: Tekta EHF House 97 m ² Klausturhólar 19C, 805 Selfoss Iceland		Approved: ... Control project Sign:
File name: TEKTA EHF House 97 m ²		Date: 20.06.2022
Date: 20.06.2022		Sheet format (A3): 1:20
Sheet format (A3): 1:20		Checking your order Sign:
Project name: SK-S-498	Construction drawing name: Dr-04	Project for the supplier:
Drawing name: Inside column fixing detail	Check:	

Pirmo aukšto sienų planas

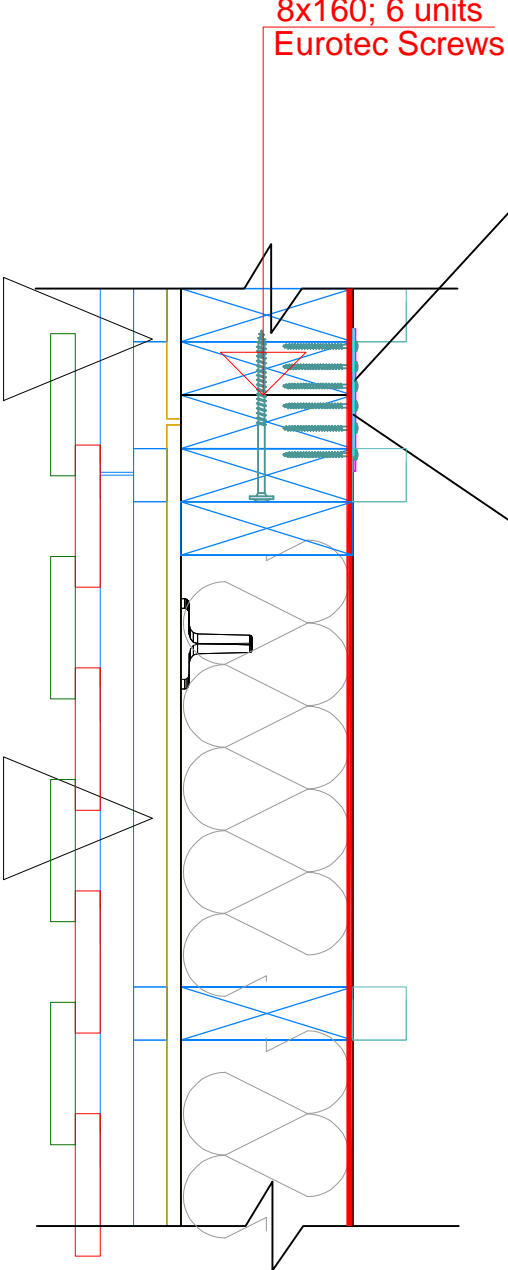


Drawing name: First floor plan		Approved:
Customer name: Tekta EHF House 97 m² Klausturhólar 19C, 805 Selfoss Iceland		Control project
Sign.:	Control:	File name: TEKTA EHF House 97 m ²
Date: 01.07.2022		Sheet format (A3): 1:50
Checking your order		Sign.:
Project name: SK-S-498		Construction drawing name: Dr-05
Drawing name: First floor plan		Project for the supplier:
Check:		...

Outside walls conection detail

VB-W-1/03

VB-W-1/02



Conect outside walls and load bearing walls with Nail plate

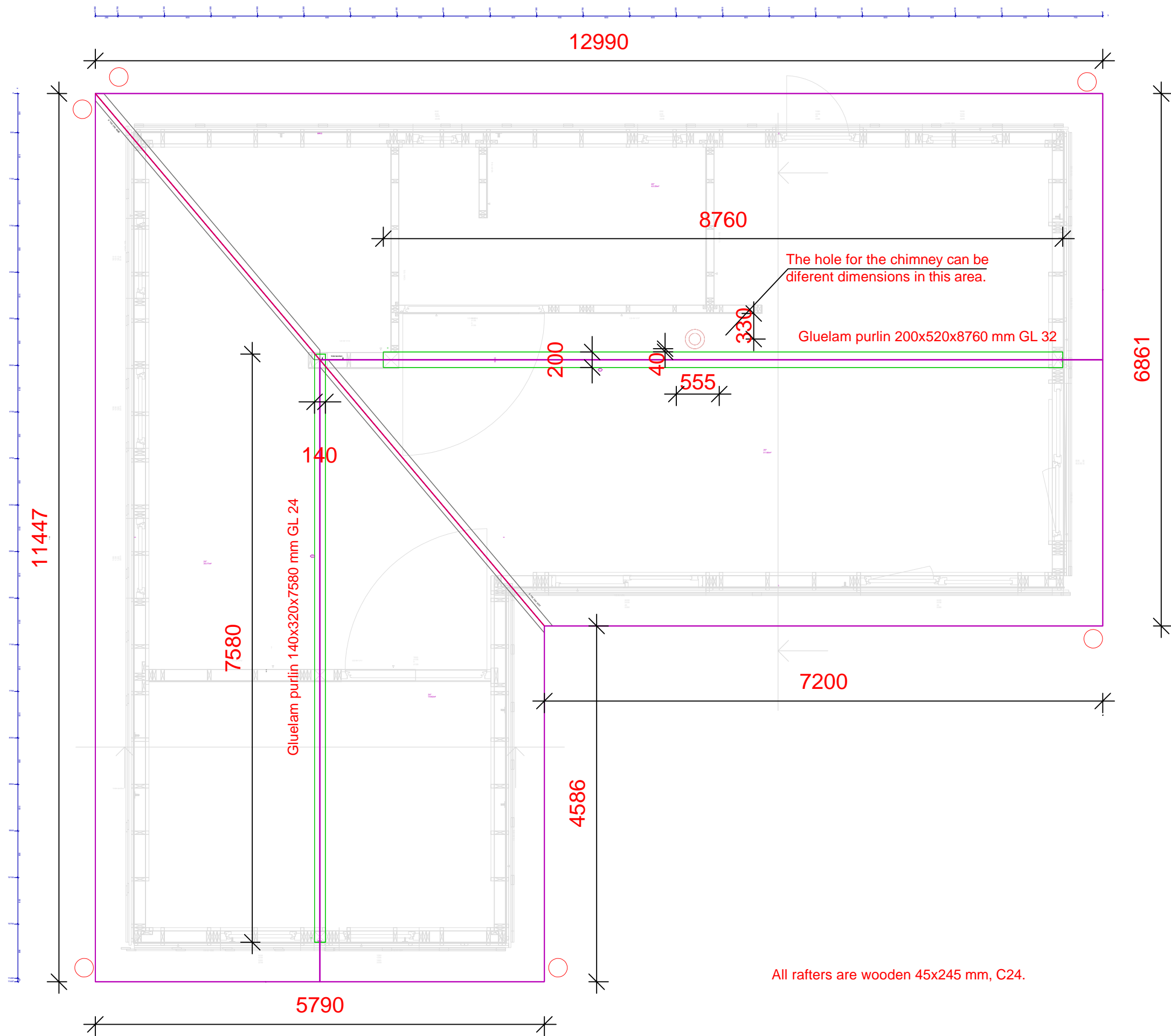
NP 20/120/200 (3 units).
Fix NP with ring shank nails Ø4x40 mm

Glue vapour barrier with Siga Rissan Tape

8x160; 6 units
Eurotec Screws

Customer name: Tekta EHF House 97 m² Klausturhólar 19C, 805 Selfoss Iceland		Approved: ... Control project Sign:
Project name: SK-S-498		Construction drawing name: Dr-06
Drawing name: Outside walls connection detail		File name: TEKTA EHF House 97 m ² Date: 20.06.2022 Sheet format (A3): 1:20 Checking your order Sign:
		Project for the supplier: Check:

Stogo planas



The hole for the chimney can be diferent dimensions in this area.

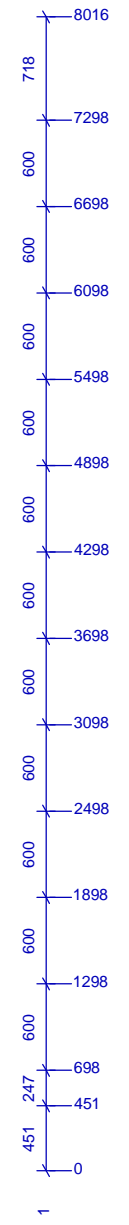
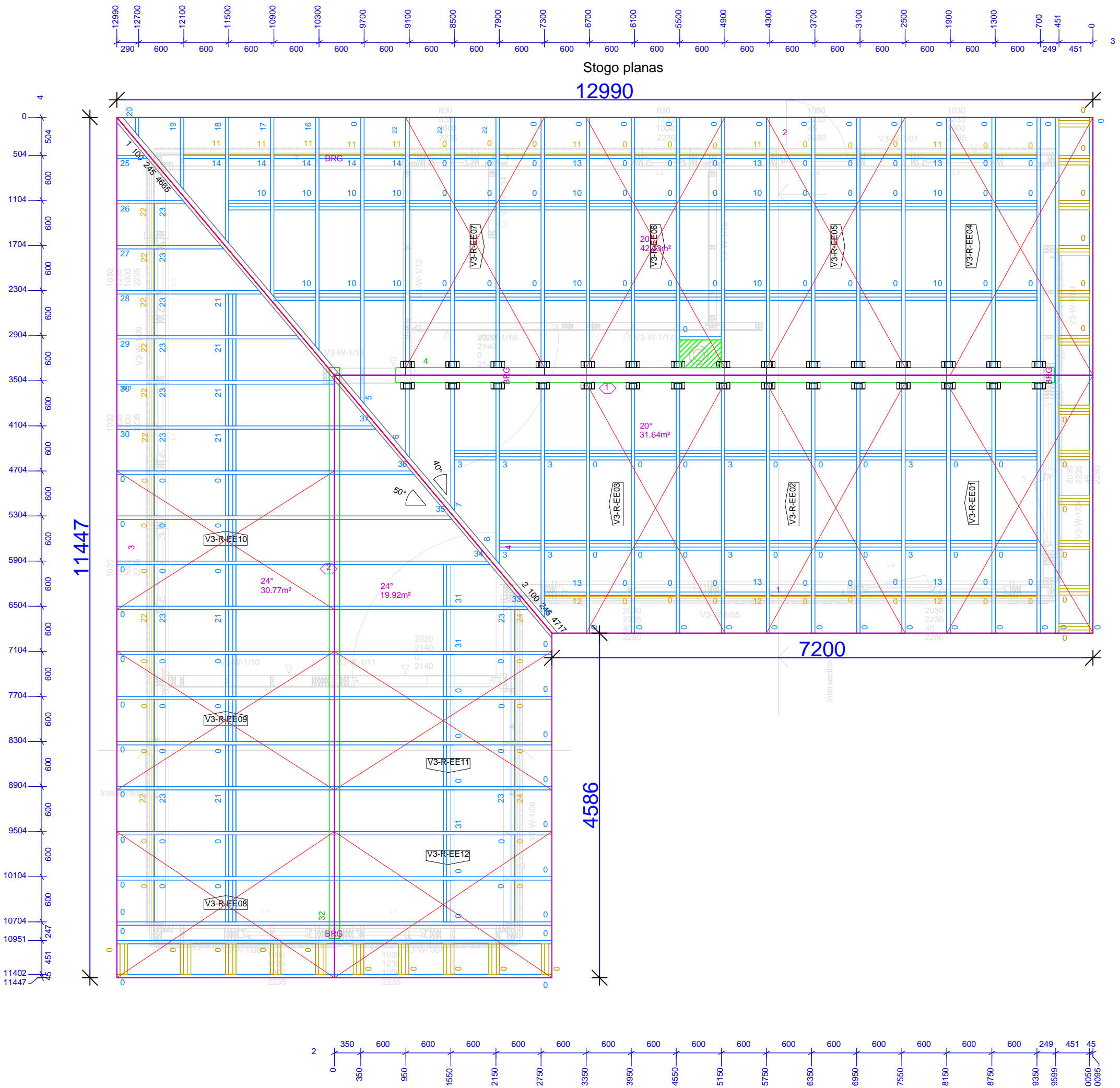
Gluelam purlin 200x520x8760 mm GL 32

Gluelam purlin 140x320x7580 mm GL 24

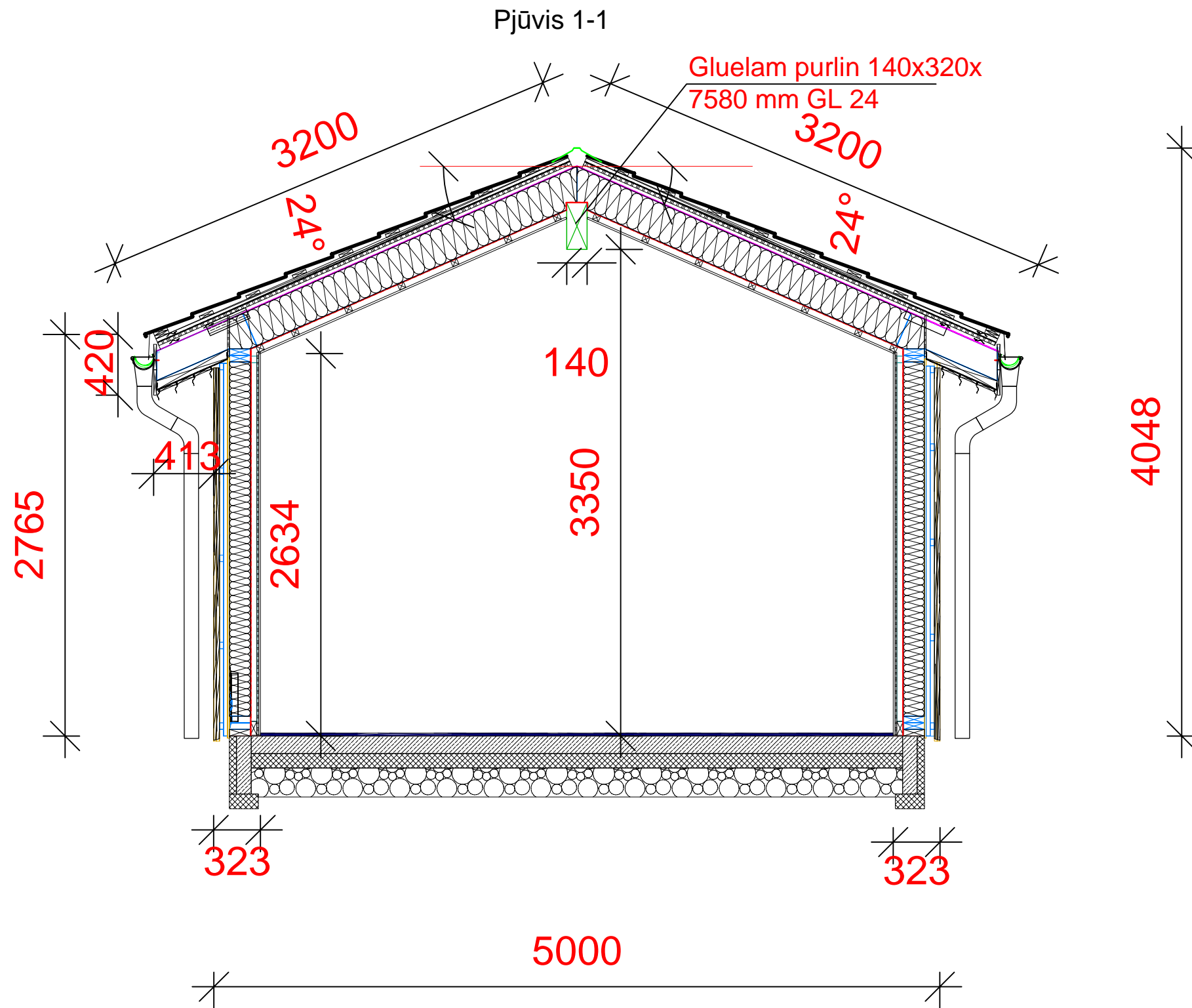
All rafters are wooden 45x245 mm, C24.

Drawing name: Roof plan		
Customer name: Tekta EHF House 97 m² Klausturhólar 19C, 805 Selfoss Iceland		Approved: Control project Sign.: Kontrol:
File name: TEKTA EHF House 97 m ²		Date: 07.07.2022
Sheet format (A3): 1:50		Checking your order Sign.: Kontrol:
Project name: SK-S-498	Construction drawing name: Dr-08	Project for the supplier: Check: ...

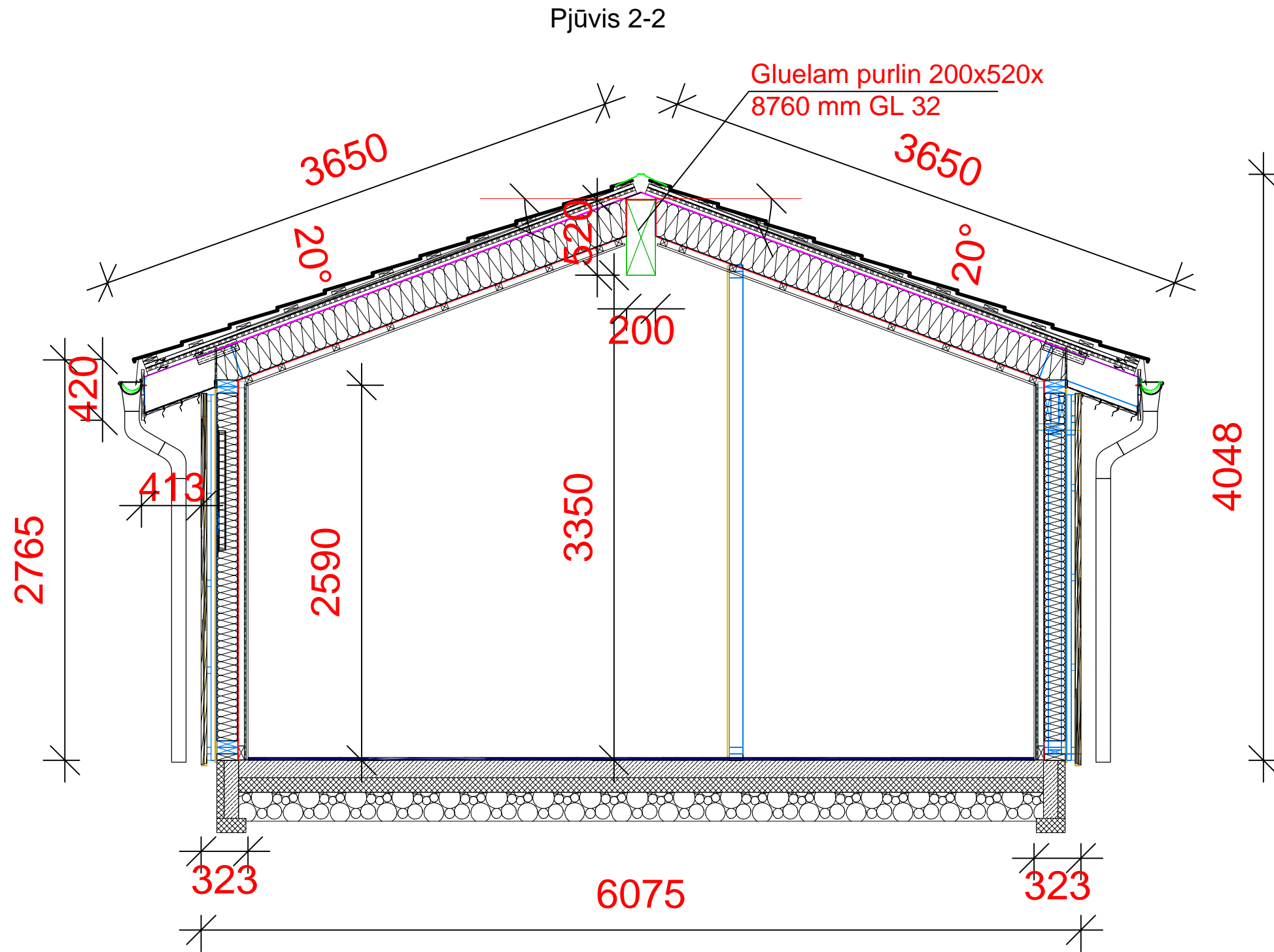
Stogo planas
12990



Drawing name: Roof plan		Approved:	
Customer name: Tekta EHF House 97 m² Klausturhólar 19C, 805 Selfoss Iceland		Control project	
		Sign.:	Kontrol:
		File name: TEKTA EHF House 97 m²	
		Date: 07.07.2022	
		Sheet format (A3): 1:50	
		Checking your order	
		Sign.:	Kontrol:
Project name: SK-S-498	Construction drawing name: Dr-09	Project for the supplier:	
Drawing name: Roof plan		Check: ...	



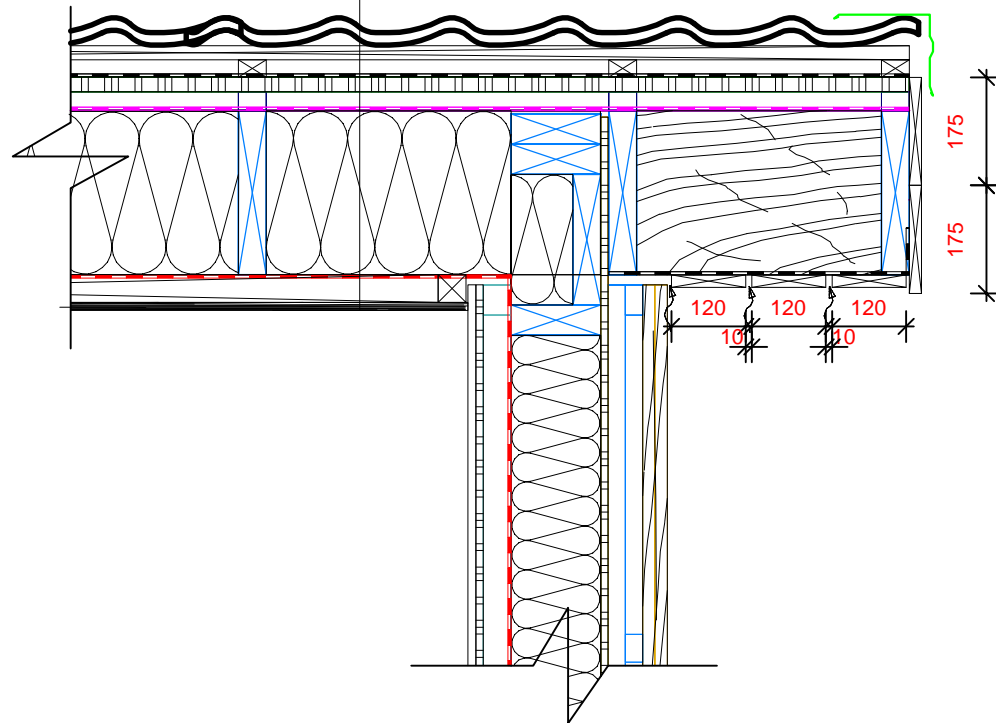
Drawing name: Section A-A		
Customer name: Tekta EHF House 97 m² Klausturhólar 19C, 805 Selfoss Iceland		Approved: Control project Sign.: Kontrol:
Date: 07.07.2022		File name: TEKTA EHF House 97 m ²
Sheet format (A3): 1:50		Checking your order Sign.: Kontrol:
Project name: SK-S-498	Construction drawing name: Dr-10	Project for the supplier: Check: ...
Drawing name: Section A-A		



Drawing name: Section A-A		
Customer name: Tekta EHF House 97 m² Klausturhólar 19C, 805 Selfoss Iceland		Approved:
Date: 07.07.2022		Control project
Sheet format (A3): 1:50		Sign.: Kontrol:
Checking your order		File name: TEKTA EHF House 97 m ²
Sign.: Kontrol:		Date: 07.07.2022
Project name: SK-S-498	Construction drawing name: Dr-11	Project for the supplier:
Drawing name: Section B-B		Check: ...

ROOF CONSTRUCTION

Roof cover: Ruukki 40 Monterey FEB
 Calibrated timber 25x100 mm, c 350 mm
 Calibrated timber 45x28 mm (cross battens), c 600 mm
 Icopal KL membrane
 OSB-3SE board 18 mm
 Diffusion membrane Tyvek Pro
 Rafters 45x245 mm (C24), c 600 mm
 Mineral insulation Paroc eXtra 200+42 mm
 Vapour barrier/ PE insulating film 200 mk
 Calibrated timber 45x45 mm (cross battens), c 400 mm
 Gips plate 12,5 mm



Drawing name: Roof detail 1		
Customer name: Tekta EHF House 97 m² Klausturhólar 19C, 805 Selfoss Iceland		Approved: Control project: Sign.: Kontrol:
File name: TEKTA EHF House 97 m ²		Date: 07.07.2022
Sheet format (A3): 1:50		Checking your order: Sign.: Kontrol:
Project name: SK-S-498	Construction drawing name: Dr-12	Project for the supplier:
Drawing name: Roof detail 1		Check: ...

OUTSIDE WALL CONSTRUCTION:

19 mm Siberian spruce (vertical cladding, primed, 2 times painted)

Horizontal calibrated timber battens 45x28 mm, c 600 mm

Vertical calibrated timber battens 45x28 mm, c 600 mm

Mouse guard

OSB-3SE board 12 mm

Calibrated timber 45x145 mm (studs C24), c 600 mm

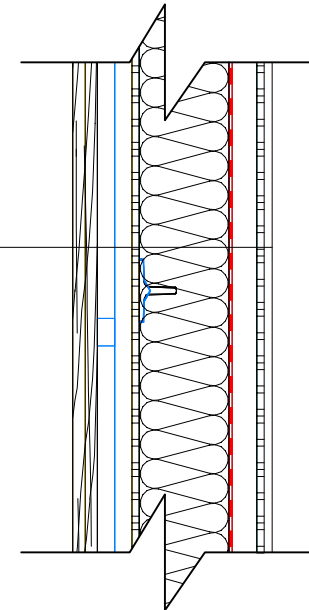
Mineral insulation Paroc eXtra, 150 mm

Vapour barrier / PE insulating film 200 mk

Calibrated timber 45x45 mm (bettens C24), c 600 mm

OSB SE 12 mm board

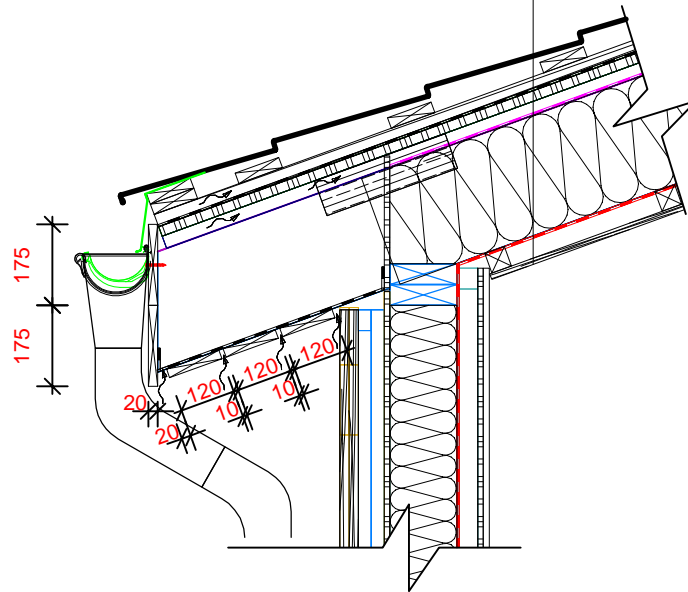
Norgips 12,5 mm



Drawing name: Outside wall detail		
Customer name: Tekta EHF House 97 m² Klausturhólar 19C, 805 Selfoss Iceland		Approved: Control project: Sign.: Control: File name: TEKTA EHF House 97 m ²
Date: 01.07.2022		Sheet format (A3): 1:50
Checking your order: Sign.: Kontroll:		Project for the supplier:
Project name: SK-S-498	Construction drawing name: Dr-13	Project for the supplier:
Drawing name: Outside wall detail		Check: ...

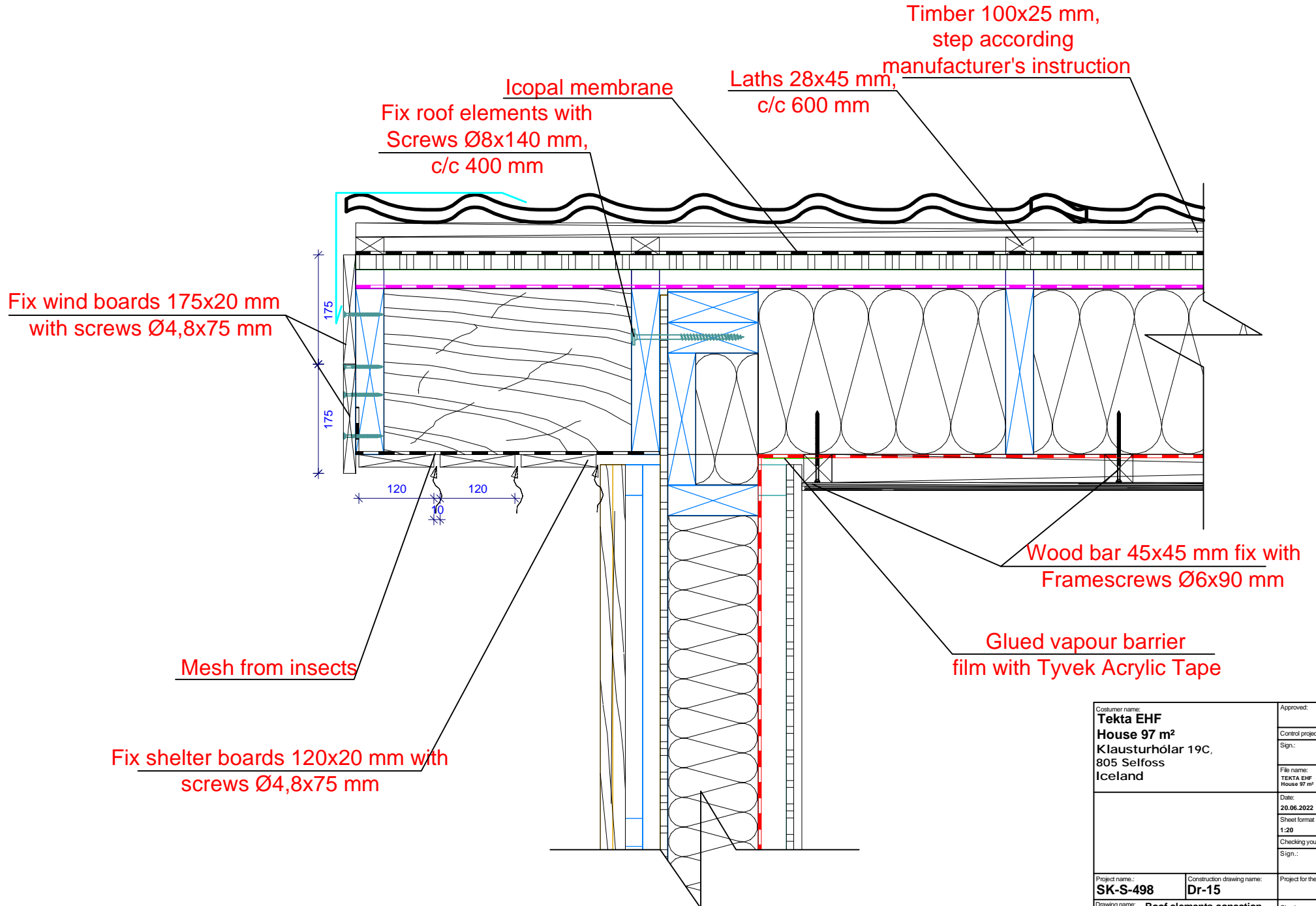
ROOF CONSTRUCTION

Roof cover: Ruukki 40 Monterey FEB
 Calibrated timber 25x100 mm, c 350 mm
 Calibrated timber 45x28 mm (cross battens), c 600 mm
 Icopal KL membrane
 OSB-3SE board 18 mm
 Diffusion membrane Tyvek Pro
 Rafters 45x245 mm (C24), c 600 mm
 Mineral insulation Paroc eXtra 200+42 mm
 Vapour barrier/ PE insulating film 200 mk
 Calibrated timber 45x45 mm (cross battens), c 400 mm
 Gips plate 12,5 mm

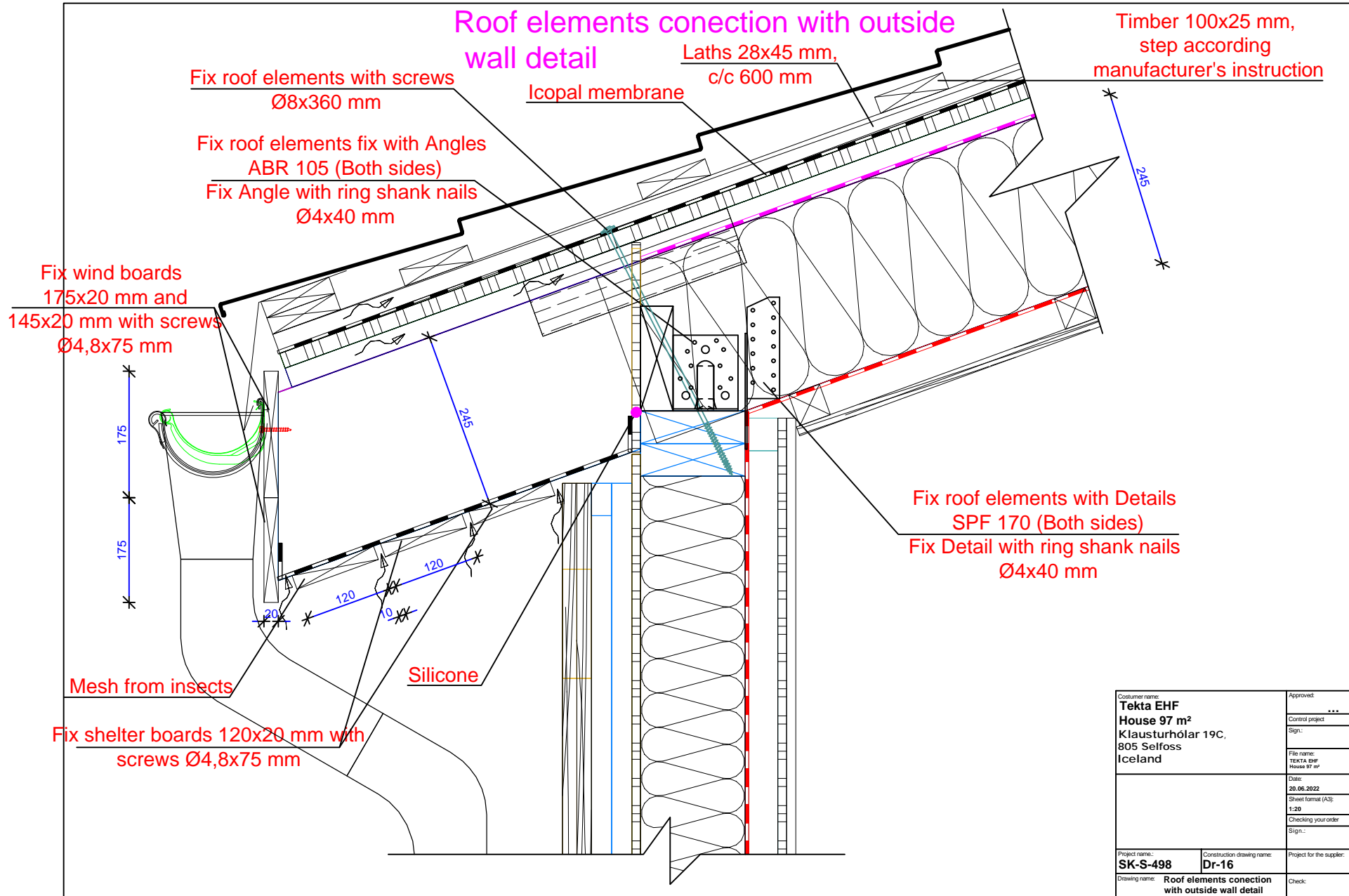


Drawing name: Roof detail 2		
Customer name: Tekta EHF House 97 m² Klausturhólar 19C, 805 Selfoss Iceland		Approved: Control project: Sign.: Control:
File name: TEKTA EHF House 97 m ²		Date: 07.07.2022
Sheet format (A3): 1:50		Checking your order: Sign.: Kontrol:
Project name: SK-S-498	Construction drawing name: Dr-14	Project for the supplier:
Drawing name: Roof detail 2		Check: ...

Roof elements conection with outside wall

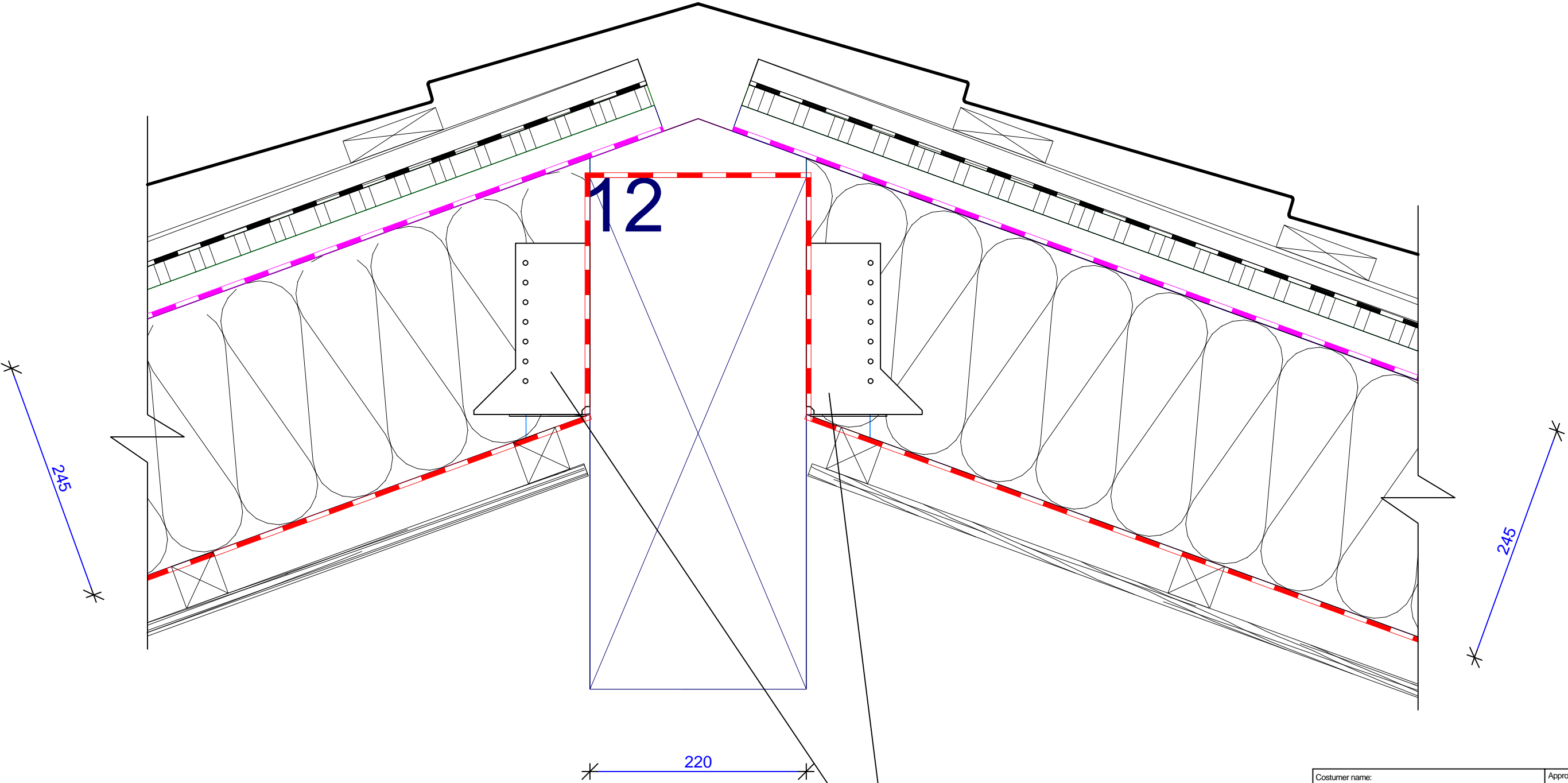


Customer name: Tekta EHF		Approved:
Project name: House 97 m²		Control project Sign: ...
Address: Klausturhólar 19C, 805 Selfoss Iceland		File name: TEKTA EHF House 97 m ²
Date: 20.06.2022		Date: 20.06.2022
Sheet format (A3): 1:20		Sheet format (A3): 1:20
Checking your order Sign:		Checking your order Sign:
Project name: SK-S-498	Construction drawing name: Dr-15	Project for the supplier:
Drawing name: Roof elements conection with outside wall detail	Check:	



Customer name: Tekta EHF		Approved:
House 97 m²		Control project
Klausturhólar 19C,		Sign: ...
805 Selfoss		File name:
Iceland		TEKTA EHF
		House 97.sp
		Date:
		20.06.2022
		Sheet format (A3):
		1:20
		Checking your order
		Sign: .
Project name:	Construction drawing name:	Project for the supplier:
SK-S-498	Dr-16	
Drawing name: Roof elements conection with outside wall detail		Check:

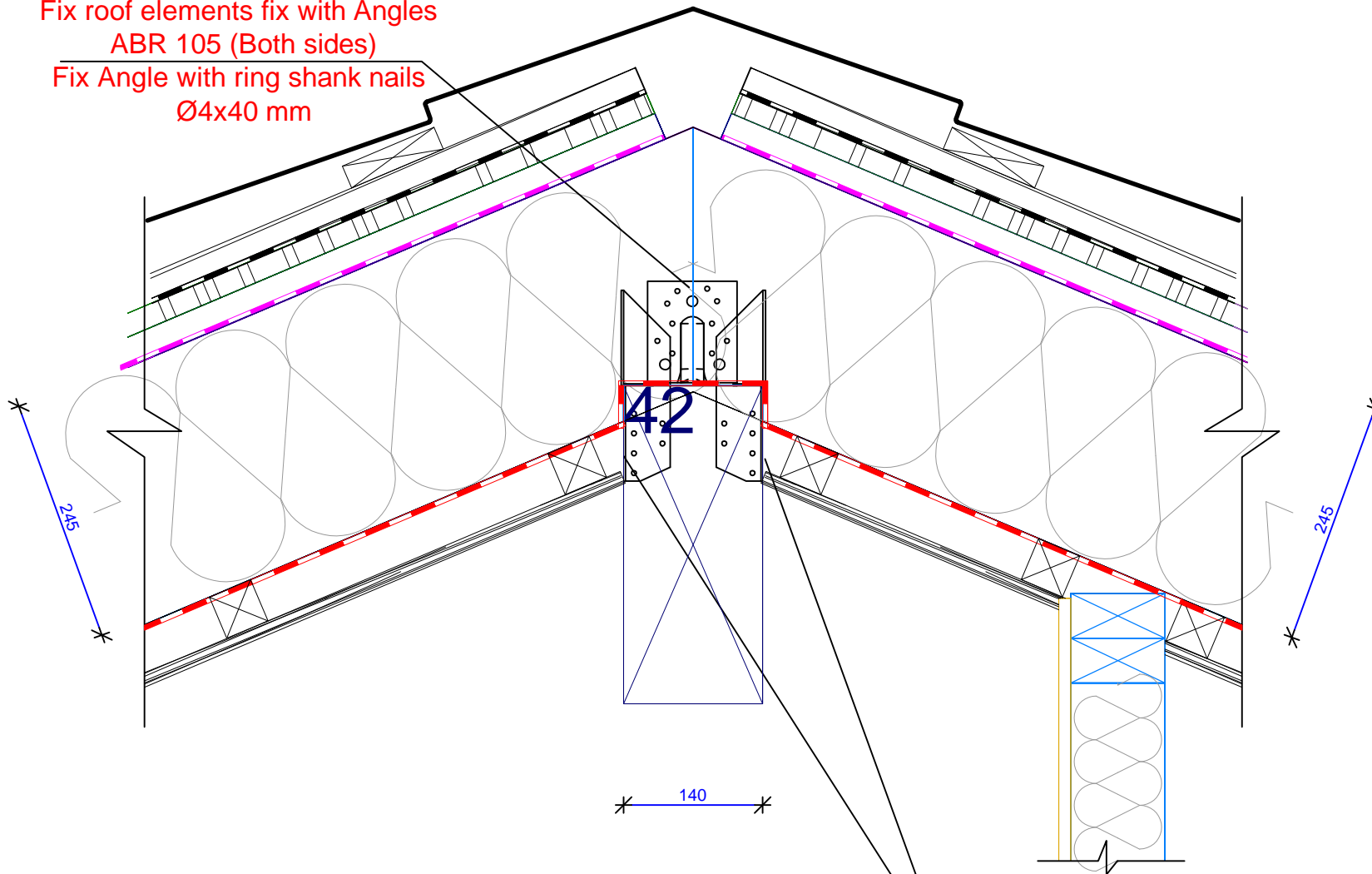
Roof elements conection with Purlin detail



Fix roof elements Details
 BSNN 45/205 with ring shank nails
 Ø4x40 mm

Costumer name: Tekta EHF House 97 m² Klausturhólar 19C, 805 Selfoss Iceland		Approved: ...
Project name: SK-S-498		Control project Sign.:
Drawing name: Roof elements conection with Purlin detail		File name: TEKTA EHF House 97 m ²
Construction drawing name: Dr-17		Date: 20.06.2022
Project for the supplier:		Sheet format (A3): 1:20
Check:		Checking your order Sign.:

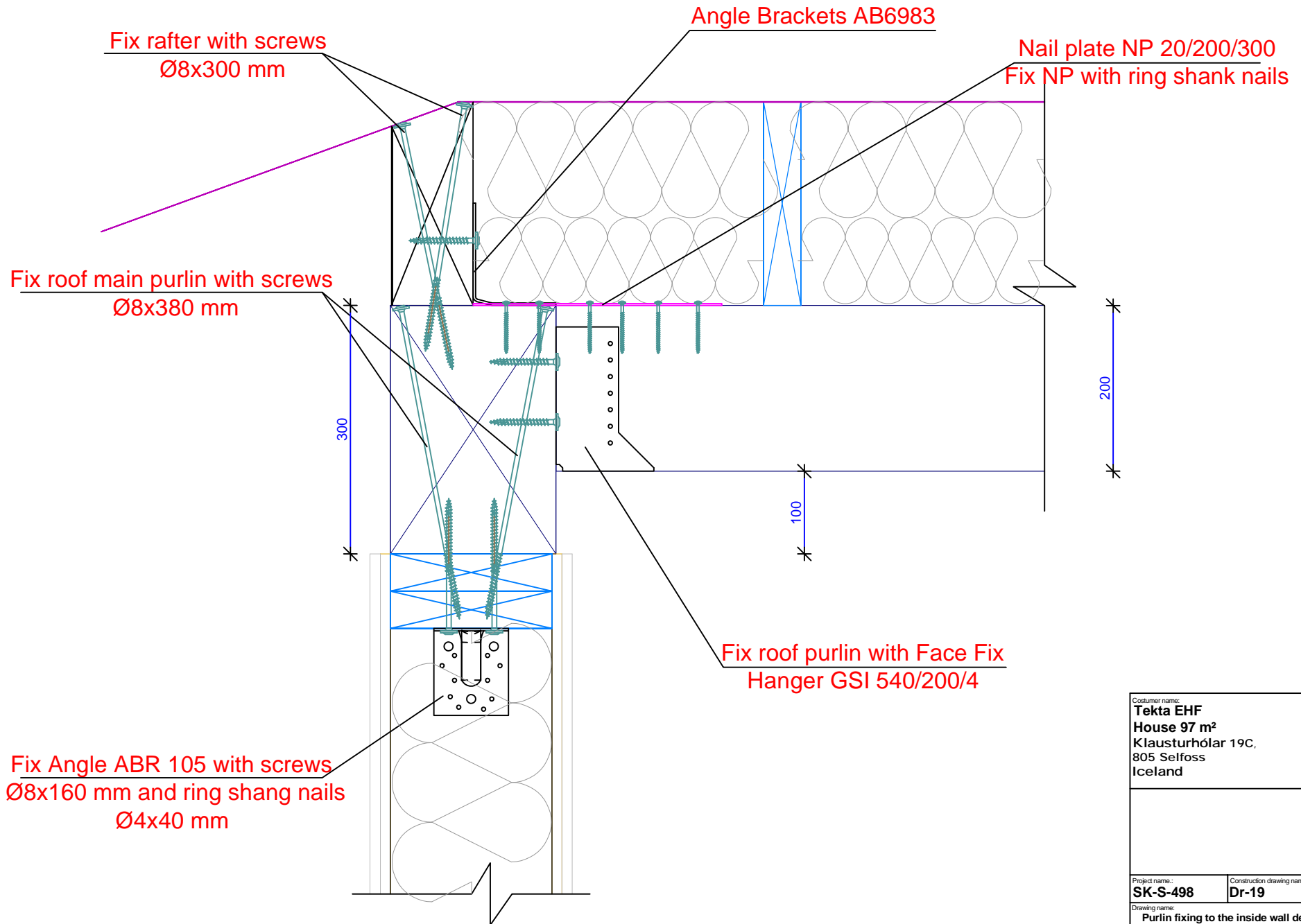
Fix roof elements fix with Angles
 ABR 105 (Both sides)
 Fix Angle with ring shank nails
 Ø4x40 mm



Fix roof elements with Details
 UNI 190 (Both sides)
 Fix Detail with ring shank nails
 Ø4x40 mm

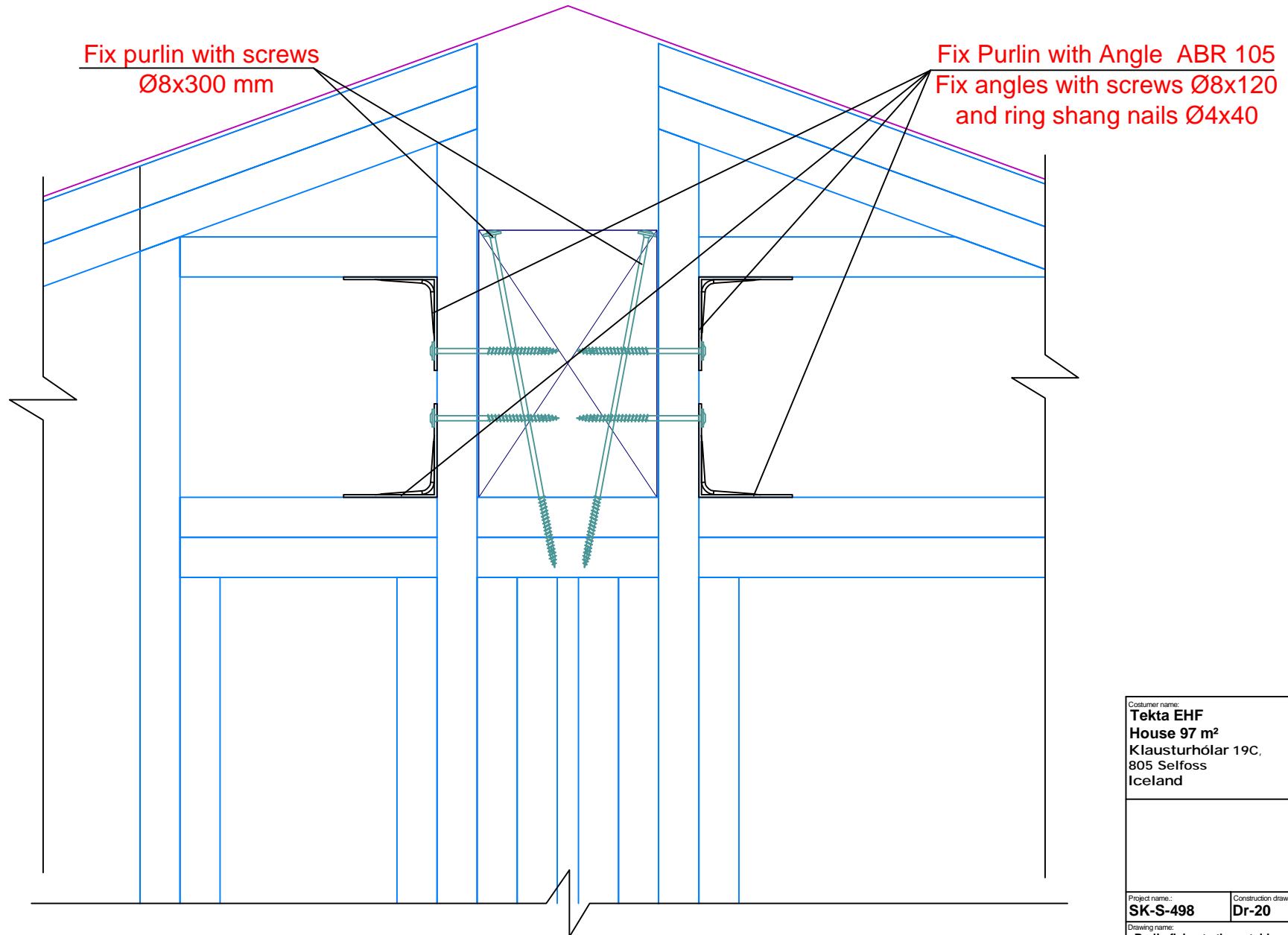
Customer name: Tekta EHF		Approved:
House 97 m ²		Control project: ...
Klausturhólar 19C,		Sign:
805 Selfoss		File name: TEKTA EHF House 97 m ²
Iceland		Date: 20.06.2022
		Sheet format (A3): 1:20
		Checking your order Sign:
Project name: SK-S-498	Construction drawing name: Dr-18	Project for the supplier:
Drawing name: Roof elements conection with Purlin detail	Check:	

Purlins fixing to the inside wall detail

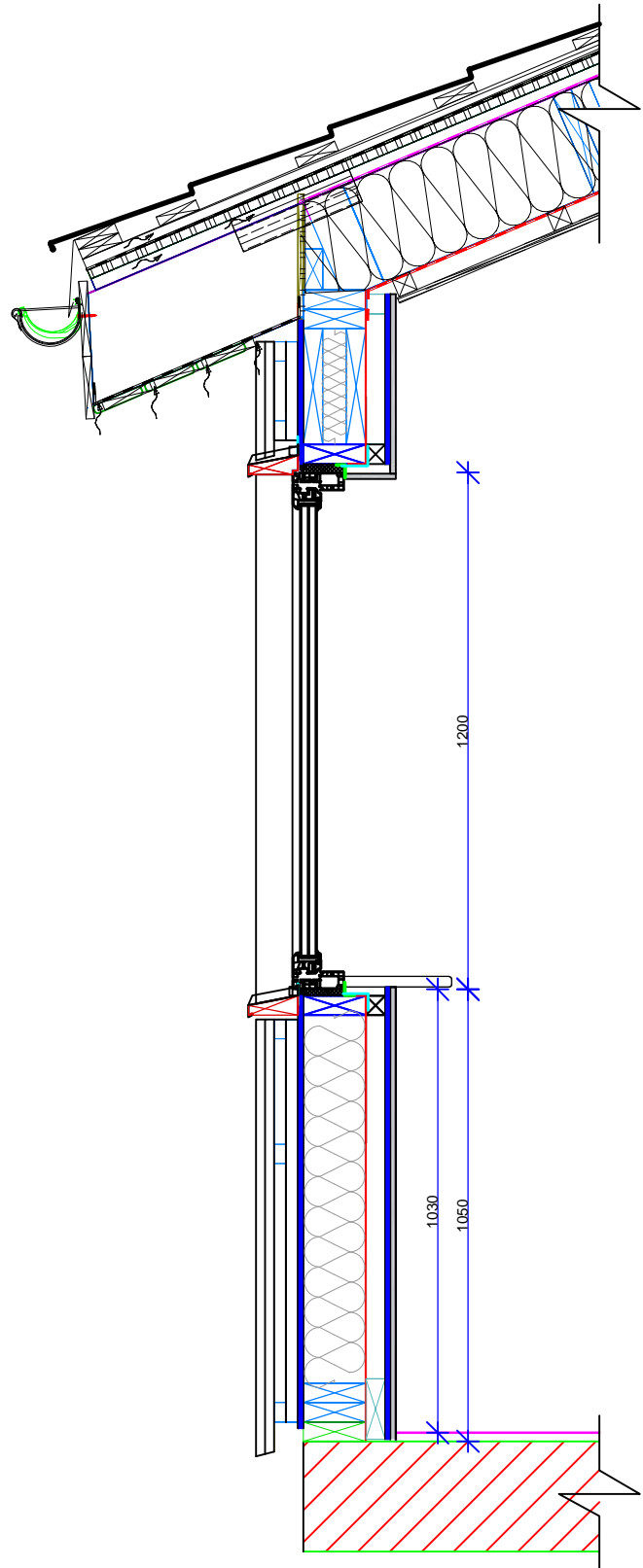


Customer name: Tekta EHF		Approved:
Control project: House 97 m²		...
Klausturhólar 19C, 805 Selfoss Iceland		Sign:
File name: TEKTA EHF House 97 m ²		Date: 20.06.2022
Date: 20.06.2022		Sheet format (A3): 1:20
Sheet format (A3): 1:20		Checking your order Sign.:
Checking your order Sign.:		Project for the supplier:
Project name: SK-S-498	Construction drawing name: Dr-19	Project for the supplier:
Drawing name: Purlin fixing to the inside wall detail	Check:	

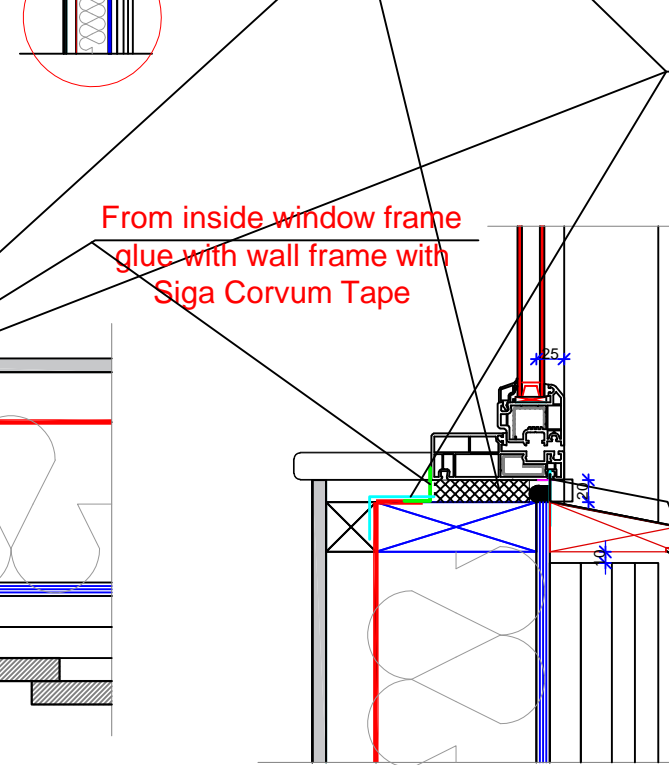
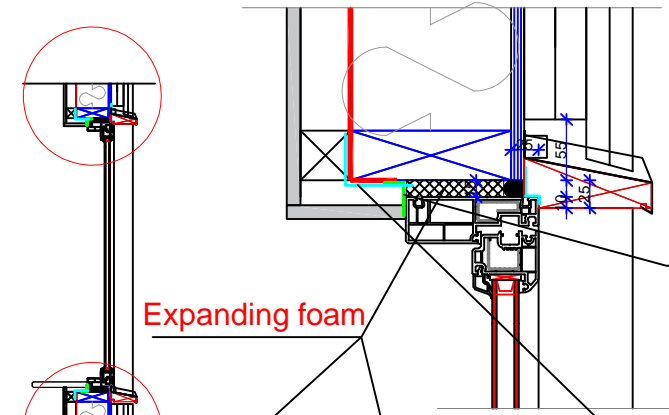
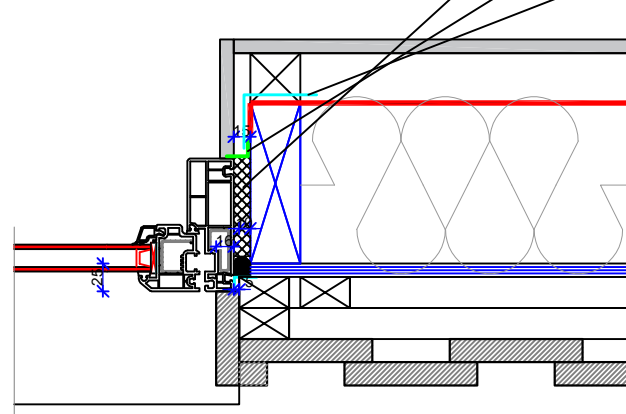
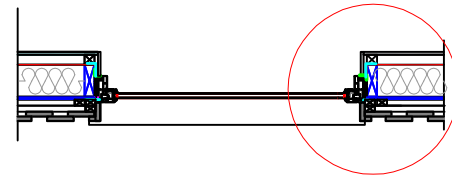
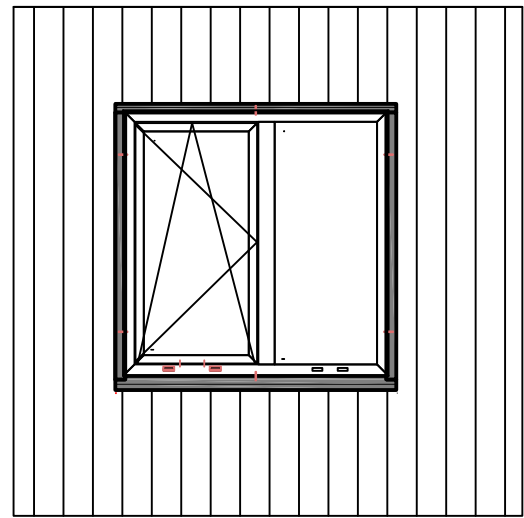
Purlins fixing to the outside wall detail



Customer name: Tekta EHF House 97 m ² Klausturhólar 19C, 805 Selfoss Iceland		Approved: ...
Control project Sign:		File name: TEKTA EHF House 97 m ²
Date: 20.06.2022		Sheet format (A3): 1:20
Checking your order Sign:		Project for the supplier:
Project name: SK-S-498	Construction drawing name: Dr-20	Check:
Drawing name: Purlin fixing to the outside wall detail		



Window instalation detail



Expanding foam

From inside window frame
glue with wall frame with
Siga Corvum Tape

From inside vapour film
glue with wall frame with
Siga Risan tape

From inside window frame
glue with wall frame with
Siga Corvum Tape

Drawing name:
Windows installation details

Customer name:
Tekta EHF
House 97 m²
Klausturhólar 19C,
805 Selfoss
Iceland

Approved:

Control project

Sign.: Kontrol:

File name:

TEKTA EHF

House 97 m²

Date:

30.05.2022

Sheet format (A3):

1:50

Checking your order

Sign.: Kontrol:

Project name:
SK-S-498

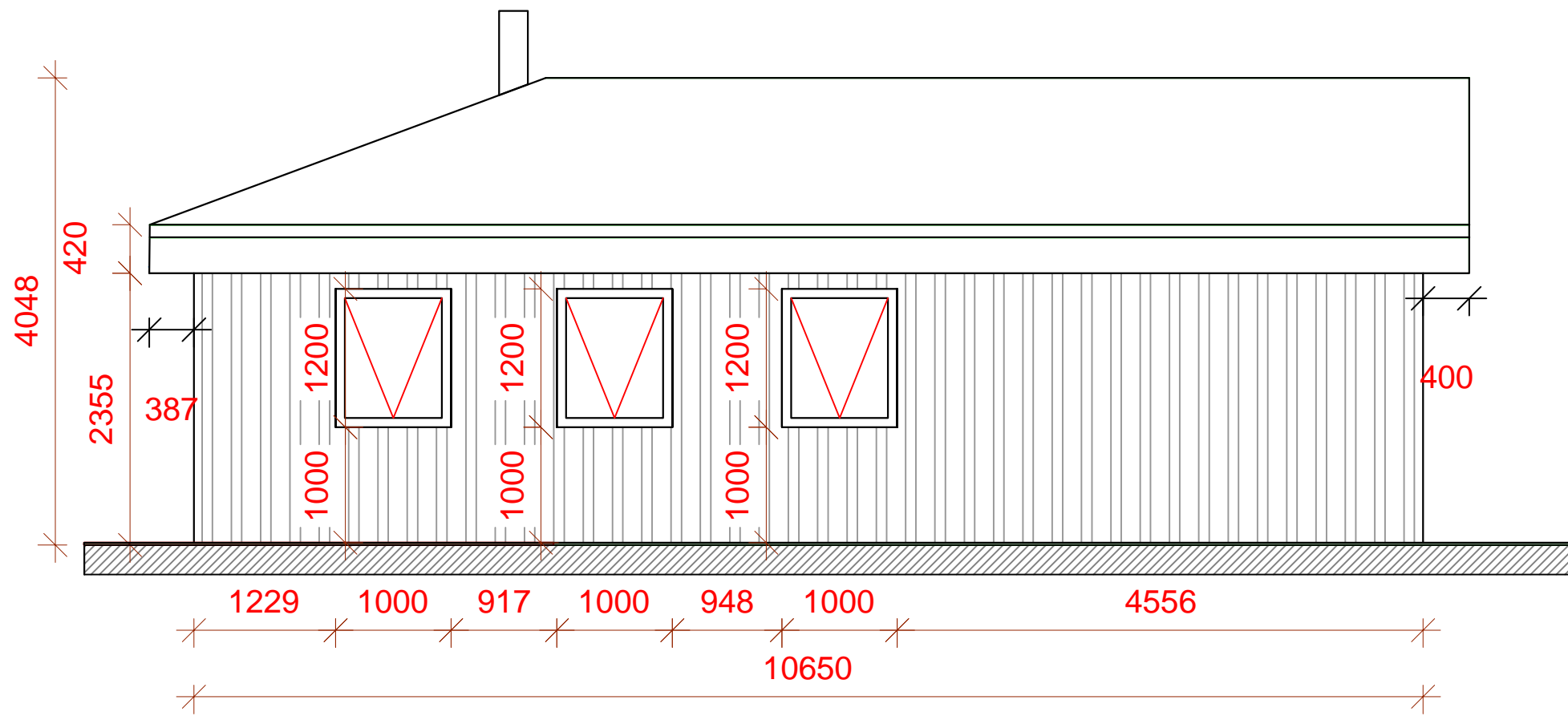
Construction drawing name:
Dr-21

Project for the supplier:

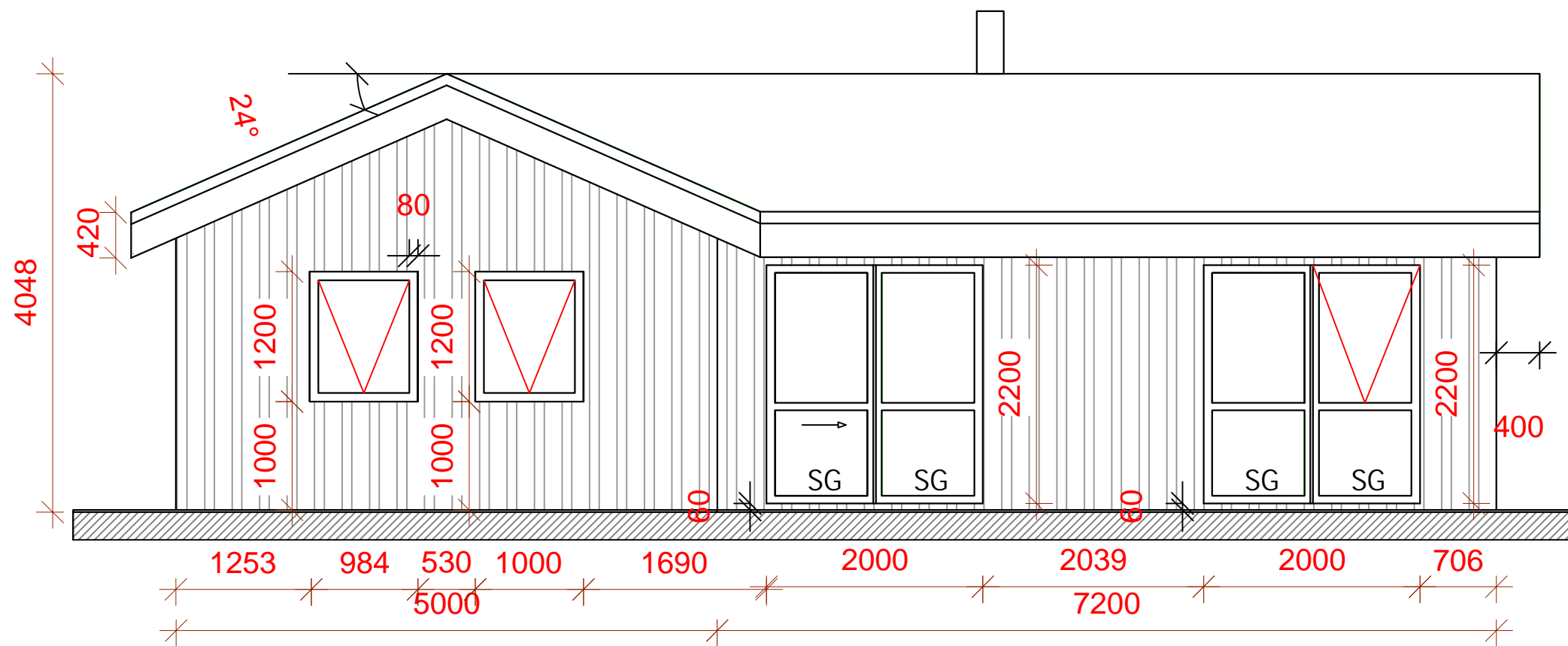
Drawing name:
Windows installation details

Check:

...

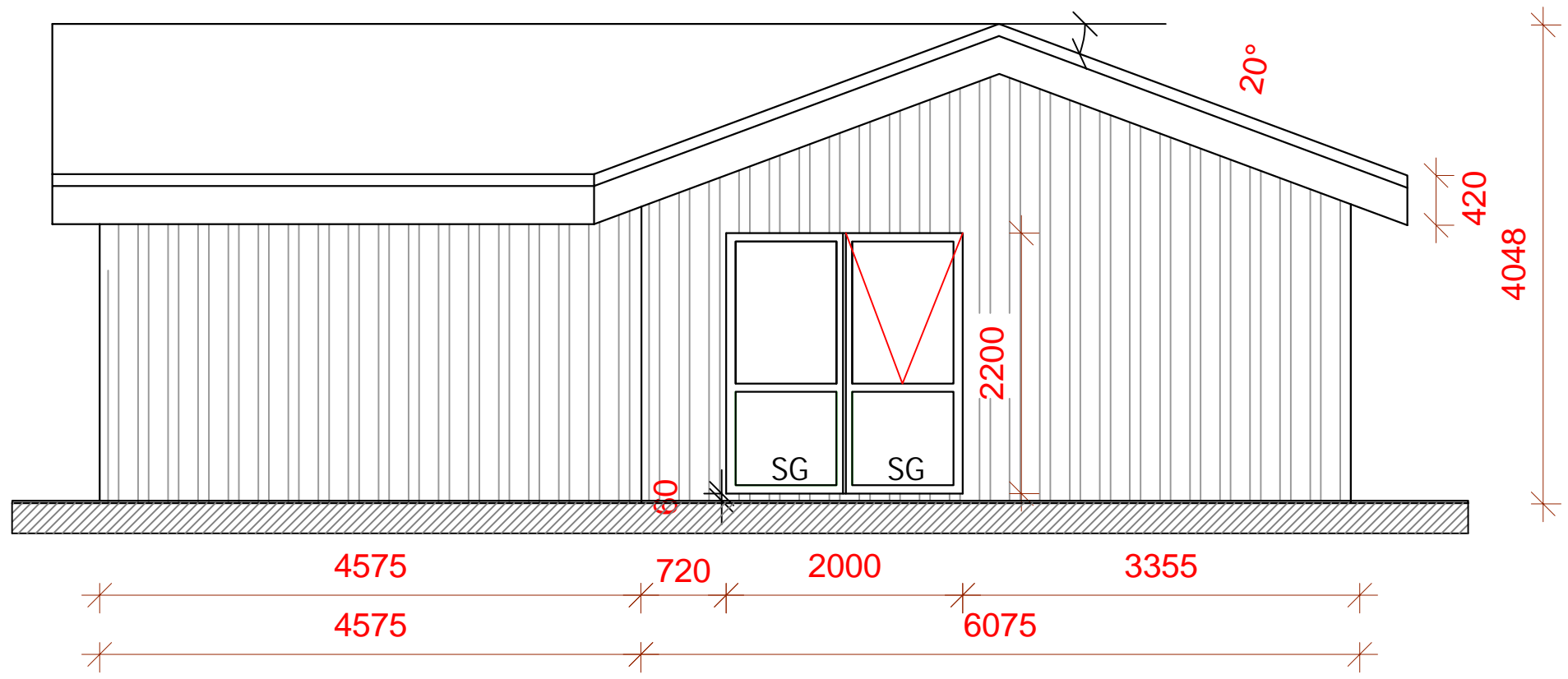


EAST FACADE

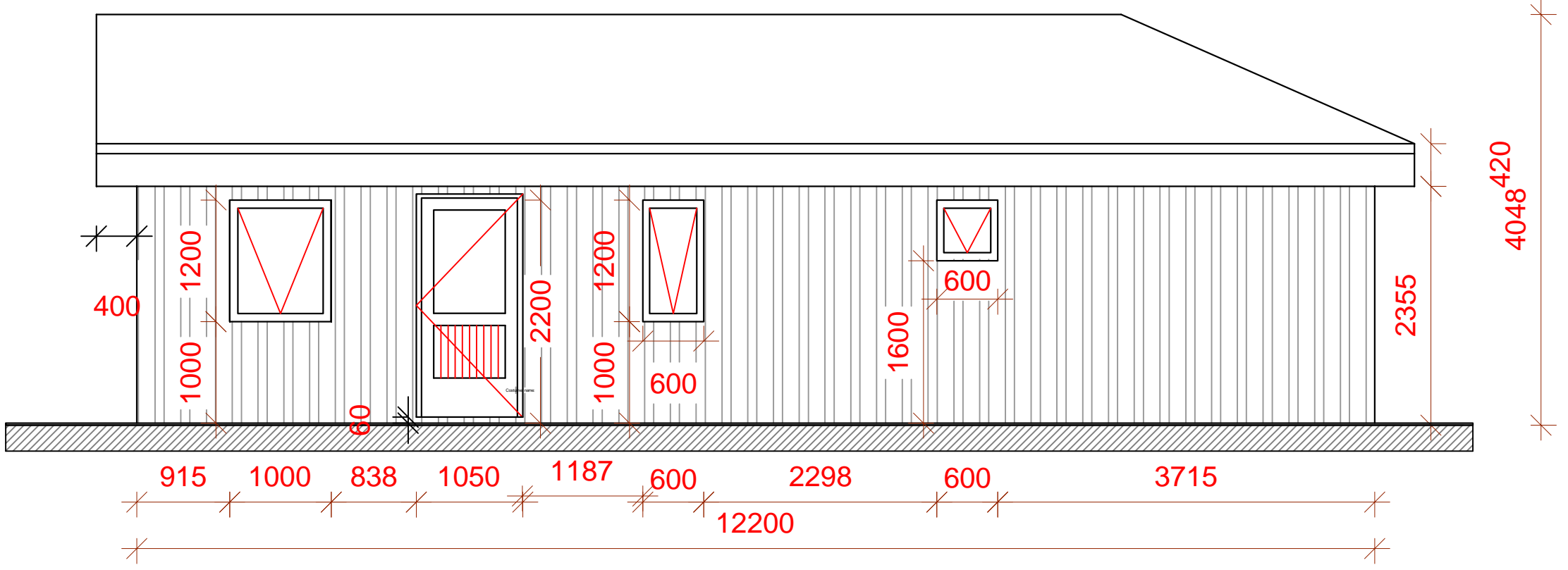


SOUTH FACADE

Drawing name: North and East fasades		Approved:	
Customer name: Tekta EHF		Control project	
House 97 m²		Sign.:	Control:
Klausturhólar 19C,		File name: TEKTA EHF	
805 Selfoss		House 97 m ²	
Iceland		Date: 01.07.2022	
		Sheet format (A3): 1:50	
		Checking your order	
		Sign.:	Kontrol:
Project name.:	Construction drawing name:	Project for the supplier:	
SK-S-498	Dr-22		
Drawing name: Fasades (North and East)		Check: ...	



WEST FACADE



NORTH FACADE

Drawing name: South and West fasades		Approved:
Customer name: Tekta EHF House 97 m² Klausturhólar 19C, 805 Selfoss Iceland		Control project Sign.: Kontrol:
File name: TEKTA EHF House 97 m ²		Date: 01.07.2022
Sheet format (A3): 1:50		Checking your order Sign.: Kontrol:
Project name: SK-S-498	Construction drawing name: Dr-23	Project for the supplier:
Drawing name: Fasades (South and West)		Check: ...